



FRANKFORD ARSENAL[®]

— THE NEW GENERATION OF RELOADING™ —

2024 PRODUCT CATALOG

FRANKFORD ARSENAL[®]

— THE NEW GENERATION OF RELOADING™ —

2024 NEW PRODUCTS

X-10 PROGRESSIVE PRESS W/ CASE FEEDER

PRODUCT# 1178469 □ UPC# 661120654315

Designed by reloaders for reloaders, the Frankford Arsenal X-10 is a 10-station automatic indexing reloading press purpose-built from the ground up to be the ultimate progressive reloading press. With a robust steel build, an array of ball bearings, and a specialized 10-station, gear-driven, rotating shell plate, it virtually eradicates issues like powder spillage and bullet tipping. This press accommodates rounds from 9mm to .308 in length and incorporates inventive features like dual de-capping stations to prevent primer drawback, in-line primer pocket swaging for both small and large primers, and compatibility with powder check and case trimming dies. Its case-actuated powder measure, with a positive reset, guarantees worry-free reloading, virtually eliminating the risk of squib loads.

When it's time to switch calibers, the X-10's intuitive design facilitates quick and hassle-free tool head and shell plate changes. The press goes above and beyond with well-thought-out user-friendly touches like a roller handle, an integrated LED light in the tool head (a feature only found on Frankford Arsenal presses), and spring-loaded case locator buttons. These refinements paired with our X-10 Bullet Collator and Caliber Conversion Kits (both sold separately) make for an exceptionally smooth and effortless one-handed operation. Don't miss out on the ultimate progressive reloading experience with the feature-packed, value-rich Frankford Arsenal X-10 Progressive Press.



X-10 PROGRESSIVE PRESS W/ CASE FEEDER

- 10 STATION DESIGN ALLOWS FOR MAXIMUM VERSATILITY WITH DIE SETUP CONFIGURATIONS
- INCLUDED CASE FEEDER ELEVATES PRODUCTIVITY AND SIGNIFICANTLY INCREASES ROUND OUTPUT PER HOUR
- PRECISION-ENGINEERED WITH INTEGRATED BALL BEARINGS, THE X-10 GUARANTEES SMOOTH OPERATION WHILE MINIMIZING POWDER SPILLAGE
- ON-PRESS PRIMER POCKET SWAGING ALLOWS FOR SINGLE-PASS LOADING OF MILITARY BRASS, AN ADDED CONVENIENCE NOT FOUND IN MOST PROGRESSIVE PRESSES
- POSITIVE RESET FEATURE ON POWDER MEASURE PROVIDES A WORRY-FREE LOADING SESSION AND SIGNIFICANTLY REDUCES THE RISK OF SQUIB LOADS
- ILLUMINATE YOUR WORKSPACE WITH THE INTEGRATED LED LIGHT IN THE TOOL HEAD, A FEATURE ONLY FOUND ON FRANKFORD ARSENAL PRESSES





X-10 PISTOL BULLET COLLATOR

PRODUCT# 1135900 □ UPC# 661120263548

Experience a new level of reloading convenience with the X-10 Pistol Bullet Collator. When combined with an X-10 Pistol Bullet Feed Caliber Conversion Kit (available separately), this ingenious system allows you to feed and seat bullets in the same station, freeing up a station for bullet crimp or other operations. Ultimately, this provides the user with more precise and accurate reloads. The collator mounts directly to the X-10 and the power stems from the X-10 Case Feeder to reduce clutter. Capable of holding up to 300 bullets at a time, the X-10 Pistol Bullet Collator features an automatic shut-off and is compatible with popular 9mm Luger, .38 Super, .40S&W, and .45ACP calibers. **Elevate your X-10 reloading experience today and let the X-10 Pistol Bullet Feed System redefine your bullet feeding standards.**

- CAPABLE OF FEEDING AND SEATING BULLETS IN THE SAME STATION ON THE X-10 WHEN PAIRED WITH CALIBER CONVERSION KIT (SOLD SEPARATELY) - SOMETHING NO OTHER BULLET FEED SYSTEM ON THE MARKET CAN DO
- MOUNTS DIRECTLY TO X-10 AND POWER STEMS FROM X-10 CASE FEEDER FOR REDUCED CLUTTER
- COLLATOR FEATURES AN AUTOMATIC SHUT-OFF AND IS COMPATIBLE WITH 9MM LUGER, .38 SUPER, .40S&W, AND .45ACP
- LARGE CAPACITY COLLATOR HOLDS UP TO 300 BULLETS FOR LONGER UNINTERRUPTED LOADING SESSIONS



X-10 PISTOL BULLET FEED CALIBER CONVERSION KITS

Experience a new level of X-10 reloading efficiency with the X-10 Pistol Bullet Feed Caliber Conversion Kits. When combined with an X-10 Pistol Bullet Collator (available separately), this robust system allows you to feed and seat bullets in the same station, freeing up additional stations for bullet crimp or other operations. Ultimately, this ensures the user produces more precise and accurate reloads on their X-10. This system integrates seamlessly into X-10 Tool Head and the die assembly is micrometer adjustable guaranteeing the perfect bullet seating depth every time. The X-10 Pistol Bullet Feed Caliber Conversion Kits are available in 9mm Luger, .38 Super, .40S&W, and .45ACP calibers. **Elevate your X-10 reloading experience and let the X-10 Pistol Bullet Feed System redefine your bullet feeding standards.**

- PAIRS WITH X-10 PISTOL BULLET COLLATOR TO FEED AND SEAT BULLETS IN THE SAME STATION - SOMETHING NO OTHER BULLET FEED SYSTEM ON THE MARKET CAN DO
- MICROMETER ADJUSTABLE SEATING STEM ENSURES CONSISTENT AND PRECISE SEATING DEPTHS WITH EVERY PULL OF THE HANDLE
- SYSTEM FREES UP AN ADDITIONAL STATION TO RUN BULLET CRIMP OR OTHER OPERATIONS WHICH ULTIMATELY LEADS TO MORE PRECISE RELOADS
- AVAILABLE IN MOST POPULAR PISTOL CALIBERS (9MM LUGER, .38 SUPER, .40 S&W, AND .45 ACP)

9MM LUGER KIT

PRODUCT# 1194188 □ UPC# 661120746935

.38 SUPER KIT

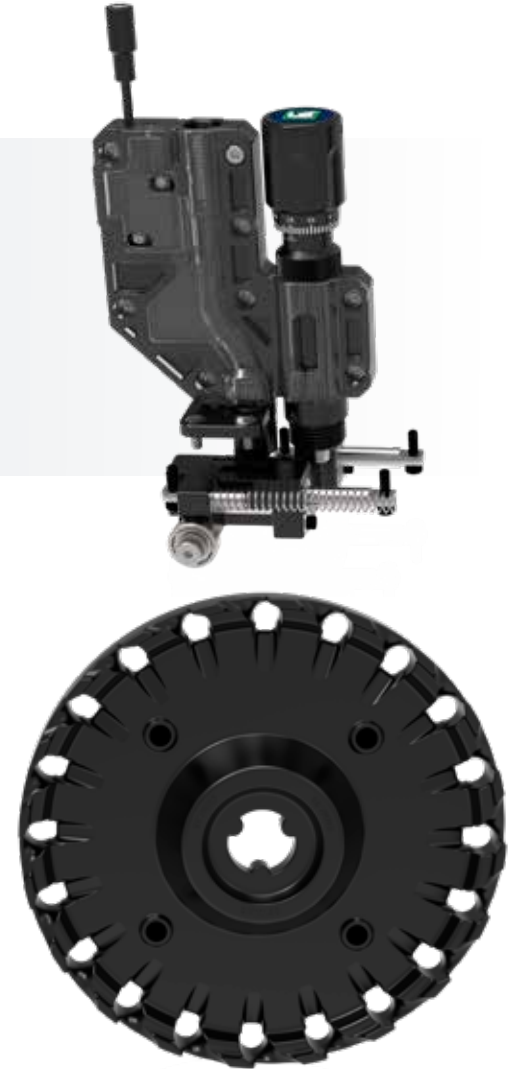
PRODUCT# 1194189 □ UPC# 661120746942

.40 S&W KIT

PRODUCT# 1194190 □ UPC# 661120746959

.45 ACP KIT

PRODUCT# 1194191 □ UPC# 661120746966



DIELOCKER LOCK RINGS

PRODUCT# 1202448 □ UPC# 661120750109

A must-have addition to your die set, the Frankford Arsenal DieLocker Lock Rings are designed for precision, engineered for convenience, and built to elevate your reloading experience. This innovative lock ring set redefines the way you fine-tune your dies. Crafted from anodized aluminum, these splitting ring designed lock rings offer both durability and superior maneuverability. The slim and sleek design of both the lock rings and included wrench fit effortlessly between tight spaces commonly found on progressive and turret presses. Featuring graduation marks at every .001", these lock rings allow for minute die adjustments with exceptional precision. Whether you're reloading pistol or rifle cartridges, our lock rings seamlessly integrate into your existing setup. Frankford Arsenal DieLocker Lock Rings are compatible with all standard 7/8"x14 dies.

- ANODIZED ALUMINUM LOCK RING CONSTRUCTION PROVIDES MAXIMUM DURABILITY AND ENSURE THE RINGS LAST A LIFETIME
- THE SLIM LOCK RING WRENCH AND LOCK RINGS ARE DESIGNED TO EASILY MAKE ADJUSTMENTS IN TIGHT SPACES – A COMMON OCCURRENCE ON PROGRESSIVE AND TURRET PRESSES
- REFERENCE MARKS (EVERY .001") ON LOCK RINGS ALLOW FOR FINITE ADJUSTMENTS OF RELOADING DIES ENSURING UNMATCHED PRECISION
- SPLIT-RING DESIGN PROVIDES EXCEPTIONAL LOCKING FORCE WHILE PROTECTING DIE THREADS
- COMPATIBLE WITH STANDARD 7/8"-14 DIES FOR USE WITH ALMOST ANY PRESS AND DIE COMBINATION



X-10 ACCESSORIES



X-10 SHELL PLATES

- #0 (9MM LUGER, .38 SUPER) □ PRODUCT# 1136230
- #1 (.38 SPL, .357 MAG) □ PRODUCT# 1135901
- #2 (.45 ACP, 6.5 CM, .308 WIN) □ PRODUCT# 1135902
- #4 (.223 REM/5.56X45MM, .300 BLK, .204 RUGER) □ PRODUCT# 1135903
- #11 (.44 SPL, .45 LC, .44 MAG, .454 CASULL) □ PRODUCT# 1135904
- #19 (.40 S&W, 10MM AUTO) □ PRODUCT# 1135905



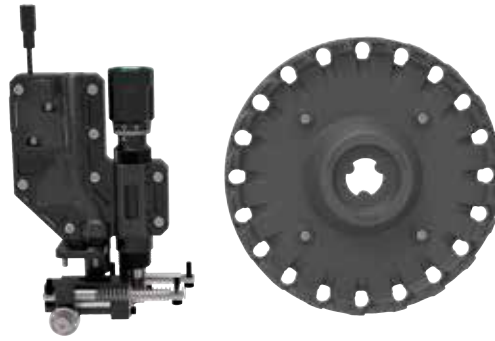
SWAGE SUPPORT DIE

PRODUCT# 1198264



X-10 TOOL HEAD

PRODUCT# 1136231



PISTOL BULLET FEED CALIBER CONVERSION KITS

- 9MM LUGER □ PRODUCT# 1194188
- .38 SUPER □ PRODUCT# 1194189
- .40 S&W □ PRODUCT# 1194190
- .45 ACP □ PRODUCT# 1194191



DIELOCKER LOCK RINGS

PRODUCT# 1202448



X-10 POWDER MEASURE ASSEMBLY

PRODUCT# 1136232



X-10 PISTOL BULLET COLLATOR

PRODUCT# 1135900

X-10 PRIMER TUBE KIT

- SMALL □ PRODUCT# 1201679
- LARGE □ PRODUCT# 1201680

X-10 POWDER MEASURE RELOCATION KIT

PRODUCT# 1201583

FRANKFORD ARSENAL[®]

— THE NEW GENERATION OF RELOADING™ —

FEATURED PRODUCTS



F-1 SINGLE STAGE PRESS

PRODUCT# 1122194 □ UPC# 661120081449

Elevate your reloading bench with the Frankford Arsenal F-1 Single Stage Press – where innovation meets accuracy and efficiency. The F-1 Press is crafted with precision-machined solid steel construction, embodying durability and longevity. Experience ultra-smooth operation with the F-1 Press's integrated linear ball-bearing system. Each pull of the handle guarantees precision and control, ensuring consistent results every loading session. The F-1 Press features an integrated LED light creating an illuminated work area, a luxury only found on Frankford Arsenal presses. The fully contained primer catch system on the F-1 takes the hassle out of managing spent primers. No special parts or accessories required, the F-1 Single Stage Press is compatible with standard 7/8"x14 dies and shell holders and will load up to .338 Lapua cartridges. **The F-1 Press is your ticket to unmatched accuracy at the bench and in the field.**

- LINEAR RAM BEARING PROVIDES AN ULTRA-SMOOTH OPERATION AND WEAR REDUCTION
- ILLUMINATED WORKSPACE WITH AN INTEGRATED LED LIGHT, A UNIQUE FEATURE EXCLUSIVE TO FRANKFORD ARSENAL PRESSES, ENSURES ENHANCED VISIBILITY
- A FULLY CONTAINED SPENT PRIMER CATCH SYSTEM PREVENTS A MESSY WORK AREA
- ACCEPTS STANDARD 7/8"X14 DIES AND SHELL HOLDERS – NO SPECIAL PARTS REQUIRED



ESSENTIALS RELOADING KIT

PRODUCT# 1198151 □ UPC# 661120655596

The Frankford Arsenal Essentials Reloading Kit was designed to encompass every crucial aspect of the reloading process. This comprehensive kit equips you with all the tools you need to create precise ammunition with ease. At the heart of this kit is the F-1 Single Stage Press which offers unmatched control over every step of the reloading process. From resizing and depriming to bullet seating, this press delivers accurate, consistent results time and time again. Another premium product in this kit is the Perfect Seat Hand Primer which comes with 12 shell holders, works with both small and large primers; and has an adjustable seating system that ensures the perfect seating depth every time. The quality doesn't stop there, the Essentials Kit also includes our Benchtop Powder Measure, Aluminum Powder Funnel Kit, Digital Calipers, DS-750 Scale, Powder Trickler, and Universal Reloading Tray.

Whether you're a seasoned reloader or looking to get started, trust in the quality, precision, and expertise that the Frankford Arsenal Essentials Reloading Kit will provide.

- ALL-ENCOMPASSING KIT INCLUDES QUALITY RELOADING TOOLS FOR EXPERIENCED AND NEW RELOADERS ALIKE TO MAKE THE RELOADING PROCESS EASIER AND MORE ENJOYABLE
- INTENTIONALLY DEVELOPED WITH MORE PREMIUM TOOLS THAN OTHER RELOADING KITS TO ELIMINATE HAVING TO UPGRADE OBSOLETE PRODUCTS LATER
- **OVER \$100 IN SAVINGS**
- INCLUDES F-1 SINGLE STAGE PRESS, ALUMINUM POWDER FUNNEL, POWDER TRICKLER, RELOADING TRAY, PERFECT SEAT HAND PRIMER, DIGITAL CALIPERS, BENCHTOP POWDER MEASURE, DS-750 SCALE



ROTARY TUMBLER LITE ESSENTIALS KIT

PRODUCT# 1199452 □ UPC# 661120747277

The Rotary Tumbler Lite Essentials Kit contains the fundamental tools to bring your brass back to its factory shine. At its core is the Frankford Arsenal Rotary Tumbler Lite, capable of holding up to 300 pieces of .223 brass at a time. Paired with our Wet/Dry Media Separator, this combination delivers a seamless process of cleaning and separating, ensuring each piece of brass emerges with a like-new luster. As a bonus, enjoy 2 lbs of stainless steel media – the secret ingredient to thoroughly cleaning your brass inside and out.



- ESSENTIAL BRASS CLEANING PRODUCTS TO BRING YOUR BRASS BACK TO ITS FACTORY SHINE ALL IN ONE BOX
- KIT INCLUDES THE NECESSARY TOOLS NEEDED FOR WET TUMBLING BRASS (ROTARY TUMBLER LITE, WET/DRY MEDIA SEPARATOR, AND 2 LBS STAINLESS STEEL MEDIA)
- WET TUMBLING BRASS TAKES SIGNIFICANTLY LESS TIME THAN DRY TUMBLING, DECREASES MESS, AND ELIMINATES HARMFUL DUST
- **OVER \$70 IN SAVINGS**



**INTERNAL
COMPARISON**



BEFORE

AFTER



ROTARY TUMBLER LITE PROFESSIONAL KIT

PRODUCT# 1199453 □ UPC# 661120747284

Bring your dirty brass back to its like-new shine with the Rotary Tumbler Lite Professional Kit. This comprehensive kit encompasses the entire brass cleaning operation, from start to finish. The centerpiece, the Frankford Arsenal Rotary Tumbler Lite, features a maintenance-free direct-drive electric motor and is designed to hold up to 300 pieces of .223 brass at a time. Clean not only the outside but also the inside and primer pockets of your brass by adding in the included stainless steel media. Once the brass is clean, effortlessly separate the brass from the pins and water with the Wet/Dry Media Separator. However, the Professional Kit doesn't stop there, it also includes our Brass Dryer, ensuring every piece of brass emerges moisture-free and ready to load. The Rotary Tumbler Lite Professional Kit is your ticket to making your brass look brand new.



- ALL-ENCOMPASSING BRASS CLEANING KIT TO BRING DIRTY BRASS BACK TO ITS LIKE-NEW SHINE
- PROFESSIONAL KIT INCLUDES ALL THE TOOLS NEEDED TO PERFORM THE WET TUMBLING PROCESS FROM START TO FINISH (ROTARY TUMBLER LITE, WET/DRY MEDIA SEPARATOR, BRASS DRYER, AND 2 LBS STAINLESS STEEL MEDIA)
- WET TUMBLING BRASS TAKES SIGNIFICANTLY LESS TIME THAN DRY TUMBLING, DECREASES MESS, AND ELIMINATES HARMFUL DUST
- OVER \$90 IN SAVINGS



INTERNAL
COMPARISON



BEFORE



AFTER

FRANKFORD ARSENAL®

— THE NEW GENERATION OF RELOADING™ —

RETURNING PRODUCTS

X-10 SHELL PLATES

- FOR USE WITH THE X-10 PROGRESSIVE PRESS
- INTEGRATED BALL BEARINGS FOR SMOOTH INDEXING
- LASER ETCHED CALIBERS FOR EASY IDENTIFICATION
- INCLUDES HINGE-TOP STORAGE CASE

The X-10 Shell Plates make it quick and easy to change out calibers on the X-10 Progressive Press. Featuring integrated ball bearings for smooth indexing to reduce powder spillage. An included storage case keeps your shell plates clean and organized when not in use.

SHELL PLATE #0

(9MM LUGER)

PRODUCT# 1136230 □ UPC# 661120260080

SHELL PLATE #1

(.38 SPL, .357 MAG)

PRODUCT# 1135901 □ UPC# 661120260011

SHELL PLATE #2

(.45 ACP, 6.5 CM, .308 WIN)

PRODUCT# 1135902 □ UPC# 661120260028

SHELL PLATE #4

(.204 RUGER, .223 REM/5.56X45MM, .300 BLK)

PRODUCT# 1135903 □ UPC# 661120260035

SHELL PLATE #11

(.44 SPL, .45 LC, .44 MAG, .454 CASULL)

PRODUCT# 1135904 □ UPC# 661120260042

SHELL PLATE #19

(.40 S&W, 10MM AUTO, .38 SUPER)

PRODUCT# 1135905 □ UPC# 661120260059



X-10 TOOL HEAD

PRODUCT# 1136231 □ UPC# 661120260097

- FOR USE WITH THE X-10 PROGRESSIVE PRESS
- NINE INTEGRATED 3.5MM MICRO-USB PORTS FOR SMART PRESS ACCESSORIES/DIES
- INTEGRATED LED LIGHT FOR ILLUMINATED WORKSPACE
- PURCHASE MULTIPLE TOOL HEADS FOR FAST CALIBER SWAPS

The X-10 Tool Head is a great option for anyone looking to change out calibers on the X-10 Progressive Press without losing die setups and settings. This replacement tool head features integrated LED lights and 3.5mm sensor ports.



X-10 POWDER MEASURE ASSEMBLY

PRODUCT# 1136232 □ UPC# 661120260103

- CASE ACTIVATED DESIGN ONLY OPERATES WHEN A CASE IS PRESENT
- INCLUDES THREE ACTIVATORS FOR SMALL AND LARGER RIFLE AND PISTOL CARTRIDGES
- PRECISION MICROMETER HAS ADJUSTABLE 2.5 - 50 GRAIN CHARGE RANGE
- POSITIVE RESET FEATURE ELIMINATES SQUIB LOADS

The X-10 Case Activated Powder Measure Assembly is compatible with the X-10 Progressive Press. Featuring a static-free aluminum body and a unique hopper shape to eliminate powder bridging and binding. The drum rides in ball bearings for ultra-smooth operation and the micro-adjustable dispense feature ensures maximum accuracy. The micrometer is capable of dispensing in increments of 2.5 - 50 grains. Assembly includes all of the required linkage and powder activators for easy plug and play operation on the X-10 Progressive Press.





SWAGE SUPPORT DIE

PRODUCT# 1198264 □ UPC# 661120655718

- FOR USE WITH X-10 PROGRESSIVE PRESS OR OTHER RELOADING SYSTEMS THAT UTILIZE INLINE SWAGING
- STANDARD 7/8"X14 THREADS
- LEAVE INSTALLED ON X-10 TOOL HEAD FOR FAST CALIBER SWAPS

The Swage Support Die is compatible with the Frankford Arsenal X-10 Progressive Press along with any other reloading system utilizing inline swaging. If running multiple X-10 Tool Heads, the user can leave this die fully setup on their Tool Head making it quick and easy to make caliber swaps.



BENCH TOP POWDER MEASURE WITH STAND

PRODUCT# 1136233 □ UPC# 661120260110

- STATIC-FREE ALUMINUM BODY TO ELIMINATE POWDER CLINGING
- NOZZLE DESIGN WORKS WITH MOST CARTRIDGES .22 - .50 CAL.
- UNIQUE HOPPER GEOMETRY PREVENTS BRIDGING AND BINDING OF POWDER
- MICROMETER POWDER STEM FOR PRECISE WEIGHT ADJUSTMENTS FROM 10 - 100 GRAINS

The Frankford Arsenal Bench Top Powder Measure features a static-free aluminum body and a unique hopper shape to eliminate powder bridging and binding. The drum rides in ball bearings for ultra-smooth operation and the micro-adjustable dispense feature ensures maximum accuracy. The powder measure comes ready to install with a bench top stand.



PISTOL MICROMETER KIT

PRODUCT# 1145115 □ UPC# 661120260127

- STAINLESS STEEL DRUM
- POWDER CHARGE RANGE: 2.5 - 50 GRAINS
- WORKS WITH BENCH TOP POWDER MEASURE
- MICROMETER POWDER STEM FOR PRECISE WEIGHT ADJUSTMENTS

The Pistol Micrometer Kit is for use in the Frankford Arsenal Bench Top Powder Measure. The stainless steel drum and precision micrometer stem ensure accurate powder charges from 2.5 - 50 grains.





REPLACEMENT POWDER RESERVOIR

PRODUCT# 1145117 □ UPC# 661120260134

- COMPATIBLE WITH BENCH TOP POWDER MEASURE AND X-10 POWDER MEASURE ASSEMBLY



PERFECT FIT RELOADING TRAYS

- PRECISE CASE FIT PREVENTS WOBBLING AND POWDER SPILLAGE
- 2 PACK KEEPS BATCHES OF BRASS SEPARATED DURING RELOADING
- NUMBERED FOR EASY CALIBER IDENTIFICATION
- 9 TRAY OPTIONS FIT MOST POPULAR CALIBERS

Frankford Arsenal's Perfect Fit Gen 2 Reloading Trays are sized for individual calibers or a family of calibers for a precise fit. These trays are an essential tool for any reloader to maximize efficiency and stay organized. 9 tray sizes are available for many popular rifle and pistol cartridges. Sold in a convenient 2-pack, each tray securely holds 50 cases.

TRAY #2

(5.56/.223 REM, .300 AAC)

PRODUCT# 1183635 □ UPC# 661120746836

TRAY #3

(9MM LUGER)

PRODUCT# 1183637 □ UPC# 661120746843

TRAY #4

(.38 SPL, .357 MAG)

PRODUCT# 1183638 □ UPC# 661120746850

TRAY #4S

(.38 SUPER, .40 S&W)

PRODUCT# 1183639 □ UPC# 661120746867

TRAY #5

(.308 WIN, 6.5 CM)

PRODUCT# 1183640 □ UPC# 661120746874

TRAY #5S

(.45 ACP)

PRODUCT# 1183641 □ UPC# 661120746881

TRAY #6

(.45 COLT, .44 REM MAG)

PRODUCT# 1183642 □ UPC# 661120746898

TRAY #7

(7MM REM MAG, .300 WIN MAG)

PRODUCT# 1183643 □ UPC# 661120747390

TRAY #8

(.338 LAPUA, .45-70 GOV.)

PRODUCT# 1183644 □ UPC# 661120747406



VISIT FRANKFORDARSENAL.COM FOR COMPLETE LIST OF COMPATIBLE CALIBERS.

ALUMINUM POWDER FUNNEL KIT

PRODUCT# 1136021 □ UPC# 661120260073

- 8 INTERCHANGEABLE NOZZLES TO FIT MOST CALIBERS
- STATIC-FREE ALUMINUM CONSTRUCTION ELIMINATES POWDER CLINGING
- LASER-MARKED NOZZLES FOR EASY CALIBER IDENTIFICATION
- INCLUDED STORAGE CASE FOR EASY ORGANIZATION OF FUNNEL AND NOZZLES

The Frankford Arsenal Aluminum Powder Funnel Kit helps you easily fill cases .17 caliber and up with precision by virtually eliminating incidences of spilled powder and static cling. Each nozzle is laser engraved by caliber for easy identification and features an O-ring for a tight seal. A sleek black non-stick surface keeps your powder static-free and eliminates occurrences of spilled powder for a safe, clean workbench and consistent loads.





INTELLIDROPPER® ELECTRONIC POWDER MEASURE

PRODUCT# 1082250 □ UPC# 661120412755

- LARGE BACK-LIT LCD DISPLAY WITH EASY TO SEE CONTROLS
- COMPANION APP FOR STORING LOAD DATA
- AUTO AND MANUAL TRICKLE CAPABILITY
- CONNECTS TO SMART DEVICE VIA BLUETOOTH

The Frankford Arsenal Intellidropper is the most advanced, intelligent, and precise electronic powder measure on the market today. The Intellidropper features a proprietary powder calibration function for fast and accurate powder measurements. Auto and manual trickle capabilities deliver up to 250 grains of powder per throw. The powder reservoir holds more than 7,000gr (1lb) of powder and has a convenient drain tube to empty any unused powder. The Intellidropper dispenses powder two times faster than other powder measures on the market while still offering +/- 0.1 gr accuracy. Quickly set up loads or make adjustments on the large, easy to see, back-lit LCD screen. The Frankford Arsenal Intellidropper app makes reloading your ammunition easier than ever. Connect via Bluetooth® to completely control your Intellidropper directly from your smart device. The companion app will store your load recipes and data and also features a cost center calculator which provides the user a detailed price list of how much each round costs to build.



patents: aob.com/patents

M-PRESS® COAXIAL RELOADING PRESS

PRODUCT # 1097879 □ UPC # 661120416760

- EASY-TO-ADJUST INTEGRAL “FLOATING” SHELL-HOLDER PLATE SYSTEM
- QUICK-CHANGE, STANDARD 7/8"-14 RELOADING DIE SYSTEM
- INTEGRATED LED LIGHT FOR ENHANCED WORKSPACE VISIBILITY
- INCLUDES 3 DIE BLOCKS

The Frankford Arsenal M-Press was designed for the serious reloader to deliver the most precise ammunition possible. We engineered a reloading press with an easy to adjust universal shell holder system, an easy to empty spent primer tray, and the ability for your press to cam over or not. In combination with the easy to adjust universal shell holder system, it allows you to switch between small to magnum pistol or rifle sized cases with the turn of a dial. Our floating die system allows for optimal bullet to case alignment helping to minimize runout to help produce the most accurate ammunition possible.



UNIVERSAL BULLET SEATING DIE

PRODUCT# 1116715 □ UPC# 661120079507

- PRECISION MICRO-ADJUSTABLE SEATING DEPTH
- WORKS FOR .224 - .338 CAL AND HAS A STANDARD 7/8 X 14 THREAD
- VLD BULLET SEATING STEMS PREVENT DAMAGING BULLET TIPS
- BULLET ALIGNMENT SLEEVES, 3 CLD BULLET SEATING STEMS AND A MOLDED STORAGE CASE

The Universal Bullet Seating Die works with .224 to .338 caliber bullets. Featuring a cutout window die body, the Universal Bullet Seating Die holds the bullet in place while seating. The built-in micrometer allows for precise .001" micro-adjustments to the seating depth of the bullet. Includes 9 bullet alignment sleeves, 3 VLD bullet seating stems, and a molded storage case.



ROTARY TUMBLER KIT

PRODUCT# 909544 □ UPC# 661120095446

- LARGE 7 LITER CAPACITY, TUMBLES UP TO 1,000 CASES OF .223 BRASS
- DUAL-LAYER DRUM WITH NOISE DAMPENING RUBBER LINING
- INCLUDES 5 LBS OF STAINLESS STEEL MEDIA PINS
- MAINTENANCE-FREE GEARED DRIVETRAIN

The Frankford Arsenal Rotary Tumbler delivers a whole new level of brass cleaning performance. When rotary tumbled with our stainless steel pins in a liquid bath, brass will get much cleaner and work much faster than ultrasonic or vibratory tumbling methods. The small stainless pins remove carbon from inside cases and primer pockets to deliver like new brass. A built-in timer in the base can be set to run from 0 to 3 hours shutting off automatically. The tumbler can effectively clean without the use of stainless media pins with a mixture of Frankford Brass Cleaning Solution and water (use of media pins ensures primer pockets and inside of cases are perfectly clean). It's the most effective brass cleaning process available with a large 7 liter capacity.

230V (INTERNATIONAL)

PRODUCT# 909567 □ UPC# 661120095675

240V (INTERNATIONAL)

PRODUCT# 1097882 □ UPC# 661120416791



ROTARY TUMBLER LITE

PRODUCT# 1097878 □ UPC# 661120416753

- 3.3 LITER CAPACITY HOLDS UP TO 300 CASES OF .223 BRASS
- EASY TWIST CAP WITH CLEAR WINDOW TO VIEW TUMBLING AND LEAK-PROOF CAP DESIGN
- MAINTENANCE-FREE GEARED DRIVETRAIN
- WORKS GREAT WITH STAINLESS STEEL PINS (NOT INCLUDED)

The Frankford Arsenal Rotary Case Tumbler Lite is the compact version of the Rotary Tumbler. This tumbler can hold up to 300 pieces of .223 brass. The Rotary Tumbler Lite is especially great for reloading specialty cartridges and lower volume. One of the best features is its maintenance free, geared drivetrain. The leak proof cap is clear to allow you to check up on the tumbling action while keeping your reloading area clean and dry.



230V (INTERNATIONAL)

PRODUCT# 1097881 □ UPC# 661120416791

ROTARY TUMBLER STRAINING CAPS

PRODUCT# 1097883 □ UPC# 661120416807

- PACKAGE OF 2
- COMPATIBLE WITH FRANKFORD ARSENAL ROTARY TUMBLER AND ROTARY TUMBLER LITE
- ALLOWS YOU TO STRAIN THE TUMBLING DRUM WITHOUT LOSING ANY CASINGS OR MEDIA PINS

Separate your brass from cleaning solution with Frankford Arsenal Sifting Caps. These sifting caps easily fit over the top of the Frankford Arsenal Rotary Tumbler drums, so you can easily pour all liquids from the container while keeping your brass contained.



ROTARY TUMBLER SPARE DRUM

PRODUCT# 909789 □ UPC# 661120097891

- 7 LITER CAPACITY
- DUAL-LAYER DRUM WITH NOISE DAMPENING RUBBER LINING
- COMPATIBLE WITH ROTARY TUMBLER KIT (7L)
- 2 END CAP ASSEMBLIES INCLUDED



STAINLESS STEEL TUMBLING MEDIA 2 LBS

PRODUCT# 1097884 □ UPC# 661120416814

- PERFECT AMOUNT FOR USE WITH THE FRANKFORD ARSENAL ROTARY TUMBLER LITE
- PINS SCRUB INSIDE THE CASE BODY AS WELL AS INSIDE THE PRIMER POCKETS
- 304 MAGNETIC STAINLESS STEEL
- LIFETIME USE

Frankford Arsenal Stainless Steel Tumbling Media is ideal for rotary tumbling brass. When combined with a liquid bath they deliver unmatched cleaning performance. Constructed of high quality 304 stainless steel, the media pins effectively penetrate inside of cases and primer pockets. 304 Stainless Steel. Ideal for Rotary Tumbling. Magnetic for convenient handling and lifetime use.



STAINLESS STEEL TUMBLING MEDIA 5 LBS

PRODUCT #909191 □ UPC# 66112009191

- PERFECT AMOUNT FOR USE WITH THE FRANKFORD ARSENAL ROTARY TUMBLER
- PINS SCRUB INSIDE THE CASE BODY AS WELL AS INSIDE THE PRIMER POCKETS
- 304 MAGNETIC STAINLESS STEEL
- LIFETIME USE

Frankford Arsenal Stainless Steel Tumbling Media is ideal for rotary tumbling brass. When combined with a liquid bath they deliver unmatched cleaning performance. Constructed of high quality 304 stainless steel, the media pins effectively penetrate inside of cases and primer pockets. 304 Stainless Steel. Ideal for Rotary Tumbling. Magnetic for convenient handling and lifetime use.



MEDIA TRANSFER MAGNET

PRODUCT# 909271 □ UPC# 661120092711

- EASILY HANDLE AND TRANSFER 304 STAINLESS MEDIA PINS
- GATHERS THEN RELEASE WHEN HANDLE IS PULLED

The Frankford Arsenal Media Transfer Magnet is ideal for handling the 304 stainless steel media pins that come with the Platinum Series Rotary Tumbler. This magnet effectively gathers and then releases pins with a pull of the handle. The Media Transfer Magnet makes separating pins from brass fast and convenient.



WET/DRY MEDIA SEPARATOR

PRODUCT # 507567 □ UPC # 661120075677

- DESIGNED FOR WET AND DRY MEDIA SEPARATION
- KEEPS COMPONENTS ENCLOSED FOR EASY CLEANUP AND STORAGE
- SPILL PROOF TUB FULLY CAPTURES WATER, DRY MEDIA AND STAINLESS STEEL PINS
- A RUGGED RUBBER LATCH KEEPS THE SIFTER CLOSED

The Frankford Arsenal Wet/Dry Media Separator is ideal for all reloaders. After your casings have tumbled, this sifter allows for easy separation of brass and cleaning media. With built in straining caps you can separate and rinse components without worry of washing them into the sink.



BRASS DRYER

PRODUCT# 909213 □ UPC# 661120092131

- DRIES BRASS AFTER ROTARY TUMBLING OR ULTRASONIC CLEANING IN UNDER AN HOUR
- HOLDS UP TO 1,000 PIECES OF .223 BRASS OR 2,000 PIECES OF 9MM BRASS
- INCLUDES 5 REMOVEABLE TRAYS
- TEMPERATURE CONTROL FROM 90°-160°F

The Frankford Arsenal Brass Dryer is a quick, convenient, and efficient system for drying your brass. This dryer is the perfect tool for drying your rifle and pistol brass after wet case cleaning processes such as rotary tumbling or ultrasonic cleaning.



220V (INTERNATIONAL)

PRODUCT# 110123 □ UPC# 61120001355

QUICK-N-EZ[™] ROTARY SIFTER KIT WITH BUCKET

PRODUCT# 507565 □ UPC# 661120075653

- INCLUDES: ROTARY SEPARATOR, PLASTIC BUCKET, 2 BUCKET SUPPORTS AND 2 SPLASH FINS
- HANDLE CAN BE INSTALLED ON EITHER SIDE FOR AMBIDEXTROUS USE
- DESIGNED FOR WET AND DRY MEDIA SEPARATION

Includes Quick-N-EZ Rotary Separator, Plastic Bucket, 2 bucket supports and 2 splash fins (with plastic bucket). The Quick-N-EZ Rotary Separator is perfect for separating the stainless steel pins from your brass after rotary tumbling.



QUICK-N-EZ™ VIBRATORY TUMBLER

PRODUCT# 855020 □ UPC# 661120550204

- HIGH CAPACITY BOWL HOLDS UP TO 600 9MM OR 350 .223 CASES
- QUICK, EASY AND ECONOMICAL MEANS TO CLEAN YOUR BRASS
- REMOVES FOULING, LUBE AND OXIDATION QUICKLY AND CONVENIENTLY
- WORKS GREAT WITH FRANKFORD ARSENAL CORN COB OR WALNUT MEDIA

The Frankford Arsenal Quick-N-EZ Vibratory Tumbler provides a quick, easy and economical means to cleaning your brass. Used in conjunction with Frankford Arsenal Walnut or Corn Cob Medias, the Quick-N-EZ Case Tumbler removes fouling, lube and oxidation quickly and conveniently. The tumbler bowl will hold up to 600 9mm or 350 .223 cases.

220V (INTERNATIONAL)

PRODUCT# 515667 □ UPC# 661120156673

patents: aob.com/patents



QUICK-N-EZ™ VIBRATORY TUMBLER KIT

PRODUCT# 645880 □ UPC# 661120458807

- HIGH CAPACITY BOWL HOLDS UP TO 600 9MM OR 350 .223 CASES
- QUICK, EASY AND ECONOMICAL MEANS TO CLEAN YOUR BRASS
- REMOVES FOULING, LUBE AND OXIDATION QUICKLY AND CONVENIENTLY
- WORKS GREAT WITH FRANKFORD ARSENAL CORN COB OR WALNUT MEDIA

The Frankford Arsenal Case Tumbler provides a quick, easy and economical means to clean your brass. Used in conjunction with the Frankford Arsenal walnut and corn cob media, the Quick-N-EZ Tumbler removes lube and oxidation quickly and conveniently. It will hold up to 600 9mm or 350 .223 cases. The Kit includes Quick-N-EZ Case Tumbler, Quick-N-EZ Rotary Media Separator, 4 oz Brass polish, 3 lb Cleaning Media and a Plastic Bucket.

220V (INTERNATIONAL)

PRODUCT# 799534 □ UPC# 661120995340

patents: aob.com/patents



QUICK-N-EZ[™] ROTARY SEPARATOR

PRODUCT# 683551 □ UPC# 661120835516

- INCLUDES: ROTARY SEPARATOR, 2 BUCKET SUPPORTS AND 2 SPLASH FINS
- HANDLE CAN BE INSTALLED ON EITHER SIDE FOR AMBEDEXTROUS USE
- DESIGNED FOR WET AND DRY MEDIA SEPARATION

Includes Quick-N-EZ Rotary Separator, 2 bucket supports and 2 splash fins (with plastic bucket). The Quick-N-EZ Rotary Separator is perfect for separating the stainless steel pins from your brass after rotary tumbling.



QUICK-N-EZ™ STANDARD MEDIA SEPARATOR

PRODUCT# 121925 □ UPC# 661120447276

- CAPACITY TO HOLD A BRASS TUMBLER WORTH OF CASES AND MEDIA
- SITS CONVENIENTLY ON TOP OF MOST 3.5 AND 5 GALLON PLASTIC BUCKETS
- PERFORATED BOTTOM LETS MEDIA FALL THROUGH, LEAVING CLEAN BRASS BEHIND
- CONSTRUCTED OF DURABLE, LIGHTWEIGHT PLASTIC



CORN COB MEDIA (UNTREATED)

4.5 LB: PRODUCT# 287178 □ UPC# 661120448303

7 LB: PRODUCT# 108729 □ UPC# 661120087298

15 LB BOX: PRODUCT# 446063 □ UPC# 661120460633

15 LB BUCKET (3.5 GALLON): PRODUCT# 687756 □ UPC# 661120877561

- DESIGNED TO QUICKLY AND EFFICIENTLY REMOVE DIRT, GRIT AND POWDER RESIDUE FROM BRASS CASES BEFORE RELOADING
- ADD FRANKFORD ARSENAL BRASS POLISH FOR A FACTORY SHINE
- USED TO CLEAN/POLISH MEDIA AND CAN ALSO BE USED TO FILL SHOOTING BAGS FOR THE RANGE
- CAN BE USED MULTIPLE TIMES BEFORE NEEDING TO CHANGE OUT WITH NEW MEDIA

Clean brass should be the goal of every reloader. Cleaning brass by tumbling is the economical, safe first step in assembling quality handloads. Besides ensuring long life for the most valuable component of your ammunition, cleaning your brass will help reduce wear and tear on your expensive reloading dies, not to mention the chamber of your firearm. Grit and grime from uncleaned brass can become imbedded in the inner surfaces of your sizing dies, scratching and marring every subsequent case. The same grime can be expected to accelerate wear in the chamber and feeding system of your rifle or handgun.



CORN COB MEDIA (TREATED)

PRODUCT# 194524 □ UPC# 661120448310

- 4.5 LB CONTAINER
- PRE-TREATED WITH BRASS POLISH
- DESIGNED TO QUICKLY AND EFFICIENTLY REMOVE DIRT, GRIT AND POWDER RESIDUE FROM BRASS CASES BEFORE RELOADING
- CAN BE USED MULTIPLE TIMES BEFORE NEEDING TO CHANGE OUT WITH NEW MEDIA

Clean brass should be the goal of every reloader. Cleaning brass by tumbling is the economical, safe first step in assembling quality handloads. Besides ensuring long life for the most valuable component of your ammunition, cleaning your brass will help reduce wear and tear on your expensive reloading dies, not to mention the chamber of your firearm. Grit and grime from uncleaned brass can become imbedded in the inner surfaces of your sizing dies, scratching and marring every subsequent case. The same grime can be expected to accelerate wear in the chamber and feeding system of your rifle or handgun.





WALNUT MEDIA (UNTREATED)

5 LB: PRODUCT# 881538 □ UPC# 661120448129

18 LB BOX: PRODUCT# 496169 □ UPC# 661120087298

18 LB BUCKET (3.5 GALLON): PRODUCT# 636314 □ UPC# 661120961697

- DESIGNED TO QUICKLY AND EFFICIENTLY REMOVE DIRT, GRIT AND POWDER RESIDUE FROM BRASS CASES BEFORE RELOADING
- ADD FRANKFORD ARSENAL BRASS POLISH FOR A FACTORY SHINE
- USED TO CLEAN/POLISH MEDIA AND CAN ALSO BE USED TO FILL SHOOTING BAGS FOR THE RANGE
- CAN BE USED MULTIPLE TIMES BEFORE NEEDING TO CHANGE OUT WITH NEW MEDIA

Clean brass should be the goal of every reloader. Cleaning brass by tumbling is the economical, safe first step in assembling quality handloads. Besides ensuring long life for the most valuable component of your ammunition, cleaning your brass will help reduce wear and tear on your expensive reloading dies, not to mention the chamber of your firearm. Grit and grime from uncleaned brass can become imbedded in the inner surfaces of your sizing dies, scratching and marring every subsequent case. The same grime can be expected to accelerate wear in the chamber and feeding system of your rifle or handgun.





WALNUT MEDIA (TREATED)

5 LB: PRODUCT# 347338 □ UPC# 661120448808

7 LB BOX: PRODUCT# 331177 □ UPC# 661120311775

- DESIGNED TO QUICKLY AND EFFICIENTLY REMOVE DIRT, GRIT AND POWDER RESIDUE FROM BRASS CASES BEFORE RELOADING
- PRE-TREATED WITH BRASS POLISH
- USED TO CLEAN/POLISH MEDIA AND CAN ALSO BE USED TO FILL SHOOTING BAGS FOR THE RANGE
- CAN BE USED MULTIPLE TIMES BEFORE NEEDING TO CHANGE OUT WITH NEW MEDIA

Clean brass should be the goal of every reloader. Cleaning brass by tumbling is the economical, safe first step in assembling quality handloads. Besides ensuring long life for the most valuable component of your ammunition, cleaning your brass will help reduce wear and tear on your expensive reloading dies, not to mention the chamber of your firearm. Grit and grime from uncleaned brass can become imbedded in the inner surfaces of your sizing dies, scratching and marring every subsequent case. The same grime can be expected to accelerate wear in the chamber and feeding system of your rifle or handgun.



BRASS CLEANING PACKS

PRODUCT# 110040 □ UPC# 661120000471

- QUICK AND EFFECTIVE NEW CRYSTALLIZED, WATER-SOLUBLE FORMULA
- FOR USE WITH FRANKFORD ARSENAL ROTARY TUMBLERS
- 1 PACK CLEANS 500 PIECES OF BRASS
- 24 COUNT

The quick and effective way to clean your brass is finally here with the Frankford Arsenal Brass Cleaning Packs. These packs are conveniently prepackaged and measured for cleaning 500 pieces of brass. You can also take pride in knowing that your cleaning solution is made right here in the U.S.A. This reloading cleaning solution was designed for use with the Frankford Arsenal Rotary Tumbler, but can be used with a variety of wet reloading tumblers.



BRASS CLEANING SOLUTION

PRODUCT# 878787 □ UPC# 661120787877

- 32 OZ. SUPER CONCENTRATED FORMULA MAKES 10 GALLONS OF SOLUTION (40:1 RATIO)
- SCIENTIFICALLY FORMULATED TO QUICKLY REMOVE CARBON BUILDUP, TARNISH AND OXIDATION ON BRASS
- LEAVES BRASS CASES CLEAN & SHINY
- USE WITH DISTILLED WATER FOR BEST RESULTS



PILE DRIVER® BULLET PULLER

PRODUCT# 1116083 □ UPC# 661120079408

- DUAL SPRING POWERED ACTION DELIVERS POWERFUL AND CONSISTENT PULL FORCE
- LOW EFFORT LEVER DESIGN MAKES BULLET PULLING QUICK AND EASY
- QUICK CHANGE COLLET SYSTEM ACCEPTS
- TWO OPTIONS FOR NO MESS POWDER AND BULLET COLLECTION

Tired of using traditional methods to pull bullets? Simply attach the Pile Driver Bullet Puller to your workbench or wall and experience easy bullet extracting. The easy lever design uses dual spring power to pull bullets up to .30-06, and an additional carrier will pull bullets up to .338 Lapua length. Bullets and powder are captured in an included trap or an optional barbed fitting is provided for attaching a tube to collect with ease.



PILE DRIVER® STANDARD CARRIER ASSEMBLY

PRODUCT# 1132927 □ UPC# 661120103707

- COMPATIBLE WITH THE FRANKFORD ARSENAL PILE DRIVER BULLET PULLER
- FITS UP TO .30-06 CASE HEAD



PILE DRIVER® MAGNUM CARRIER ASSEMBLY

PRODUCT# 1132857 □ UPC# 661120103714

- COMPATIBLE WITH THE FRANKFORD ARSENAL PILE DRIVER BULLET PULLER
- FITS .30-06 TO .338 LAPUA CASE HEAD



QUICK-N-EZ™ IMPACT BULLET PULLER

PRODUCT# 836017 □ UPC# 661120446422

- 3 DIFFERENT COLLETS FITS ALMOST ANY CALIBER FROM .22 HORNET TO .45-70
- FUNCTIONS WITH RIMMED AND RIMLESS CASES
- COMPATIBLE WITH CAST BULLETS
- WORKS ON RIFLE AND PISTOL CASES

The Frankford Arsenal Quick-N-EZ Impact Bullet Puller makes pulling bullets a simple process. Just insert the loaded round and sternly tap the Bullet Puller against a piece of wood to separate the bullet from the brass.



M-PRESS® DIE BLOCKS

PRODUCT # 1097880 □ UPC # 661120416777

- SET OF 3
- COMPATIBLE WITH THE FRANKFORD ARSENAL M-PRESS COAXIAL RELOADING PRESS
- SET SCREW HOLDS DIES FIRMLY IN PLACE
- STORAGE CASE INCLUDED

Purchase an additional die block set for each of the calibers you reload. Save time setting up your workbench and spend more time reloading. Each die block features a lock screw to ensure the die returns to the proper setting each time. Protect your die blocks and dies in the included stackable storage case when they're not in use.





DIGITAL CALIPERS

PRODUCT# 672060 □ UPC# 661120720607

- ACCURATELY MEASURES OBJECTS UP TO 6" WITH SAE TO METRIC CONVERSION
- LCD SCREEN FOR EASY READOUT
- MEASURES DEPTH, STEP, INSIDE AND OUTSIDE DIAMETERS
- STORAGE CASE INCLUDED

Reloading ammunition requires attention to many critical cartridge dimensions, including case length, neck and base diameters, overall length, primer pocket depth, etc. Verifying these dimensions is quick and convenient with the Frankford Arsenal Calipers and Micrometers. The calipers are accurate to within .001" and allow you to measure step, inside and outside diameters, plus depths and displays the measurements on the LCD screen located on the front. You will find them useful for many measuring tasks on and off the reloading bench. Packaged in a convenient, protective case.



DIAL CALIPERS

PRODUCT# 516503 □ UPC# 661120440642

- ACCURATELY MEASURES OBJECTS UP TO 6"
- HARDENED STAINLESS STEEL RACK FOR DURABILITY
- MEASURES DEPTH, STEP, INSIDE AND OUTSIDE DIAMETERS
- STORAGE CASE INCLUDED

Reloading ammunition requires attention to many critical cartridge dimensions, including case length, neck and base diameters, overall length, primer pocket depth, etc. Verifying these dimensions is quick and convenient with the Frankford Arsenal Dial Calipers. The calipers are accurate to within .001" and allow you to measure step, inside and outside diameters, plus depths. You will find them useful for many measuring tasks on and off the reloading bench. Packaged in a convenient, protective case



PRECISION SCALE

PRODUCT# 909672 □ UPC# 661120096726

- +/- 0.1 GRAIN ACCURACY FOR CONSISTENT AND PRECISE MEASUREMENTS
- MEASUREMENTS IN GRAINS, GRAMS, CARATS, AND OUNCES
- 1,500 GRAIN CAPACITY
- RUNS ON A/C POWER OR 4-AAA BATTERIES (NOT INCLUDED)

This versatile reloading scale is perfect for any reloading room. With the ability to measure in several different units and the 3 point calibration feature, it can easily be relied on for most all reloading needs. The weigh plate is shaped to accept a powder pan as well as indexed to fit the shaft of an arrow or any other like-shaped objects. This scale also features a Tare button that allows for measuring the consistency between loads.



DS-750 DIGITAL SCALE

PRODUCT# 205205 □ UPC# 661120052050

- +/- 0.1 GRAIN ACCURACY FOR FOR CONSISTENT AND PRECISE MEASUREMENTS
- MEASUREMENTS IN GRAINS, GRAMS, CARATS, AND OUNCES
- 750 GRAIN CAPACITY
- POWERED BY 2-AAA BATTERIES (INCLUDED)

The Frankford Arsenal DS-750 Digital Reloading Scale delivers extreme accuracy for precise measurement of powder, bullets, cases or loaded rounds. Simple controls allow for easy changes of units and calibration. Powder pan, carry bag, calibration weight and 2-AAA batteries included.



UNIVERSAL RELOADING TRAY

PRODUCT# 393939 □ UPC# 661120939399

- 50 ROUND CAPACITY
- ACCOMMODATES SEVERAL DIFFERENT BRASS CARTRIDGES IN THE SAME HOLE
- ACCEPTS A WIDE VARIETY OF CARTRIDGES FROM .17 TO .458 CALIBER
- TOP SIDE HOLDS PISTOL AND RIFLE BRASS, BOTTOM SIDE HOLDS 9MM AND .45 ACP BRASS

The Universal Reloading Tray is highly versatile. It can be used with a wide variety of rifle cartridges from .17 caliber up to .458 caliber. It also works well for handgun cartridges 9mm to 500 S&W. 50 round capacity.



CASE TRIM AND PREP SYSTEM

PRODUCT# 903156 □ UPC# 661120031567

- ADJUSTABLE COLLET SYSTEM WORKS WITH ALL CASES FROM .17 REMINGTON TO .460 WEATHERBY
- ULTRA-HARD HSS CUTTERS STAY SHARP FOR THOUSANDS OF ROUNDS
- THREE OUTPUT SHAFTS ACCEPT ALL CASE TRIMMING ACCESSORIES WITH 8-32 THREADS
- INCLUDES VLD INSIDE CHAMFER TOOL, OUTSIDE DEBURR TOOL, SMALL AND LARGE PRIMER POCKET CLEANER

The Frankford Arsenal Case Trim and Prep Center houses all the tools you need to trim, chamfer, deburr, and pocket clean. An innovative case holder with adjustable collet and bushing system indexes the case shoulder and can be set to precisely trim brass to an exact length. Built from aluminum and a durable steel frame, the Case Trim and Prep Center is built to be a long-term tool on your reloading bench.



240V (INTERNATIONAL)

PRODUCT# 1094737 □ UPC# 661120416821

CASE PREP CENTER

PRODUCT# 1077094 □ UPC# 61120412885

- FOUR OUTPUT SHAFTS ACCEPT ALL CASE TRIMMING ACCESSORIES WITH 8-32 THREADS
- HARDENED HIGH SPEED STEEL (HSS) TOOLS STAY SHARP FOR THOUSANDS OF ROUNDS
- INCLUDES INSIDE CHAMFER TOOL, OUTSIDE DEBUR TOOL, SMALL AND LARGE PRIMER POCKET CLEANER
- 200 RPM OUTPUT MAKES CASE PREP QUICK AND EASY

The Frankford Arsenal Case Prep Center makes case preparation an easy process. Its compact design makes it ideal for all reloading benches. With four hardened high-speed steel tools, the Case Prep Center includes everything you need to quickly prepare of brass casings. The durable aluminum body has a slot to store all of your cutting tools.



PRIMER POCKET PREP KIT

PRODUCT# 909215 □ UPC# 661120092155

- STANDARD 8-32 THREADS FITS FRANKFORD ARSENAL CASE TRIM & PREP CENTERS
- HARDENED HIGH SPEED STEEL (HSS) STAYS SHARP FOR THOUSANDS OF ROUNDS
- SMALL AND LARGE PRIMER POCKET UNIFORMER/CLEANER
- SMALL AND LARGE PRIMER POCKET CRIMP REMOVER



UNIVERSAL PRECISION CASE TRIMMER

PRODUCT# 1092514 □ UPC# 661120416746

- TRIMS SHOULDERED CASES FROM .17 REM TO .460 WEATHERBY
- BUILT-IN DEPTH MICROMETER ADJUSTS IN 0.001" INCREMENTS
- ULTRA HARD HSS CUTTER WILL STAY SHARP FOR THOUSANDS OF ROUNDS
- WORKS WITH ANY STANDARD DRILL OR DRILL PRESS

The Universal Precision Case Trimmer is the same great technology found on the Case Prep and Trim Center, however, it is designed to be used with a standard drill or mounted in a drill press. Unlike conventional trimmers, the Universal Drill Trimmer requires no caliber specific pilots or shellholders. The included collets index off the case shoulder to trim any shouldered case from 17 Remington to 460 Weatherby Magnum. Simply install the correct collet, adjust the trimmer to your desired length, then secure the trimmer into a drill or drill press. Cases are then fed into the trimmer by hand. With a little practice, the Universal Drill Trimmer will trim cases faster than any traditional trimmer you've ever used.



CASE PREP ESSENTIALS KIT

PRODUCT# 909214 □ UPC# 661120092148

- INSIDE CHAMFER TOOL & OUTSIDE DEBURR TOOL
- SMALL AND LARGE PRIMER UNIFORMER/CLEANER
- SMALL AND LARGE PRIMER POCKET CRIMP REMOVAL TOOLS
- MADE OF HARDENED HIGH SPEED STEEL

The Frankford Arsenal Case Prep Essentials Kit includes 2 handles, inside and outside chamfer tools, large and small primer pocket uniformer/cleaner, large and small primer pocket crimp remover and a handy storage case.



STUCK CASE REMOVER

PRODUCT# 1078192 □ UPC# 661120411338

- ADJUSTABLE CLAMP WORKS ON .17 REM.-.338 LAPUA CARTRIDGES
- PROVIDES OPTIMAL LEVERAGE WITH THE USE OF A RELOADING PRESS
- CASE REMOVAL WITH NO EXTRA TOOLS REQUIRED
- NO NEED TO REMOVE OR ADJUST THE DIE

Get back to reloading in minutes with the Frankford Arsenal Stuck Case Remover. No need to disassemble your press or break out your other tools. Simply insert the device into the shell holder, clamp down on the case and activate the press lever to quickly and efficiently separate the case from the die. Once the case is free, remove the tool and continue to reload.



POWDER TRICKLER

PRODUCT# 903535 □ UPC# 661120035350

- LARGE POWDER CAPACITY
- HEAVY MACHINED STEEL TO PREVENT TIP OVERS
- DUST COVER DOUBLES AS A NON-SKID BASE AND THE DISPENSER COVER
- TRICKLER HEIGHT FITS ALMOST ALL POWDER SCALES

Have control over your small powder adjustments, with the Frankford Arsenal Powder Trickler. The rubber caps serve as a protectant for the powder when not in use, while also creating a slide proof base for when in use. Simply turn the arm in to drop minimal amounts of powder at a time to ensure a more accurate weight. This tool works perfect with digital reloading scales and is the perfect addition to any reloading room.



HAND DEPRIMER

PRODUCT# 909283 □ UPC# 661120092834

- PATENTED UNIVERSAL COLLET SYSTEM DEPRIMES BRASS FROM .20 CAL UP TO .338 LAPUA
- COMES WITH 3 DIFFERENT COLLETS FOR DIFFERENT DIAMETER CASES
- WORKS ON PISTOL BRASS, RIFLE BRASS AND MILITARY CRIMPED PRIMERS
- CONSTRUCTED WITH A FULL-LENGTH, ERGONOMIC GRIP

The Frankford Arsenal Hand Deprimer allows you to break out of the confines of the reloading room and take your depriming anywhere. With a hand operated, portable design, you can quickly and easily deprime your brass from the couch. The collection tube catches old primers and is see through to easily monitor fullness level. When the catch tube is full, simply twist off and empty. After the primer is removed, the Deprimer auto ejects the case for a faster and easier operation.



PERFECT SEAT HAND PRIMER

PRODUCT# 110006 □ UPC# 661120100065

- WORKS WITH BOTH SMALL AND LARGE PRIMERS
- 0.001" SEATING DEPTH ADJUSTMENT
- STORAGE CASE KEEPS COMPONENTS SECURE AND ORGANIZED
- 12 SHELLHOLDERS INCLUDED

The Frankford Arsenal Hand Primer allows you to break out of the confines of the reloading room and take your priming anywhere. The .001" micrometer adjustment allows you to dial in the perfect primer seating depth for ultimate accuracy and reliability. With a hand operated, portable design, you can quickly and easily prime your brass from the couch. This tool is a must have for any reloader.



VIBRA-PRIME

PRODUCT# 855712 □ UPC# 661120855712

- MAKES LOADING PRIMER TUBES QUICK AND EASY
- WORKS WITH BOTH SMALL AND LARGE PRIMERS
- CIRCULAR AUTO-INDEXING RIDGES FOR QUICK PRIMER INSERTION

The Vibra-Prime™ can load 100 primers into a primer tube in a matter of seconds with its unique motorized agitation mechanism. Filled tubes are then easily transferred into any model progressive press tube. Includes Vibra-Prime, primer tray, small and larger primer tube & 2 universal tube adapters. Runs on 2 AA batteries (not included).



PRIMER POCKET SWAGER

PRODUCT# 110007 □ UPC# 661120100072

- PADDED ERGONOMIC HANDLE TAKES THE STRAIN OUT OF SWAGING BRASS
- SPRING LOADED DESIGN AUTO INSERTS AND EJECTS BRASS INTO SWAGER
- COMPATIBLE WITH SMALL AND LARGE PRIMER POCKETS
- STURDY DIE-CAST ALUMINUM CONSTRUCTION

Complete your reloading bench with the Frankford Arsenal Primer Pocket Swager. Easily remove military crimps with this ergonomic upright designed swager that can be clamped or permanently mounted to any workbench. You no longer have to fiddle with aligning the primer pocket perfectly, simply utilize the included large and small case holders and the easy-to-use swing out access to quickly insert, swage and remove brass.



RELOADING STAND

PRODUCT# 489621 □ UPC# 661120896210

- FRAME IS MADE OF 1.5" TUBE STEEL
- CAN BE USED WHILE SITTING OR STANDING
- INCLUDES 2 SIDE BINS FOR HOLDING COMPONENTS
- FOLDS UP FOR CONVENIENT STORAGE OR TRANSPORTATION

The Frankford Arsenal Reloading Stand is perfect for when you do not have room for a full size reloading bench or need to create a slightly altered setup. Able to handle a press and a powder measure at the same time, this highly adaptable bench also features collapsible shelves that create more space and tuck away for easy storage. Whether you are doing a quick reload, or simply need something that takes up a little less space, this reloading table is perfect for you.

Adjustable Height: 28.5"-45"

Adjustable Width: 13"-39"



CASE LUBE

PRODUCT# 460478 □ UPC# 661120439967

- 8 OUNCE SPRAY BOTTLE
- ELIMINATES STUCK CASES WHILE NOT CONTAMINATING THE POWDER OR PRIMERS
- FAST-DRYING TO ALLOW FOR QUICK AND EASY RESIZING





DROP OUT

PRODUCT# 763758 □ UPC# 661120637585

- 6 OUNCE AEROSOL SPRAY CAN
- ALLOWS FOR EASY REMOVAL OF THE NEWLY CAST BULLETS FROM THE MOLD
- LONG-LASTING FORMULA TO ENSURE NO CAST GETS STUCK IN THE MOLD
- FAST-DRYING TO ALLOW FOR QUICKER CASTING OF BULLETS

Frankford Arsenal Drop Out Bullet Mold Release Agent is great for preparing your molds for casting. This product works as both a release agent and a lube. The special formula contains graphite to help bullets drop easily from the mold and works to prevent rust.



RELOADER'S LABELS

PRODUCT# 202364 □ UPC# 661120023647

- 100 LABELS PER PACKAGE
- 2"W X 2.5"H PEEL & STICK LABEL

These Peel & Stick Labels help you record all of the important data about your pistol, rifle or shotgun handloads for future reference and replication. These labels have an adhesive which makes them easy to remove. Works great with plastic ammo boxes.



CARTRIDGE OVERALL LENGTH GAUGE

PRODUCT# 965887 □ UPC# 661120658870

- ACCURATELY DETERMINES THE MAXIMUM CARTRIDGE LENGTH FOR ANY RIFLE
- INCLUDES: 2 CLAMPS AND 3 ROD TIPS

If you have a cleaning rod and a set of calipers, you can now determine the optimum OAL for any bullet in less than two minutes. This simple kit consists of two clamps that easily attach to any cleaning rod, 1/4" in diameter, or less. Simply install the appropriate size tip on the end of your cleaning rod, insert the cleaning rod to the bolt face, install one clamp, remove the bolt and drop in a bullet (projectile only) into the chamber. Hold the bullet against the rifling with a pencil, touch the bullet tip with the cleaning rod tip and install the other clamp. Now measure the inside distance between the two clamps with calipers and record, or use as a gauge to check the seating depth set-up during your reloading sequence.





CLEANCAST LEAD FLUX

PRODUCT# 441888 □ UPC# 661120418887

- 1 LB. CONTAINER
- IMPROVES CONSISTENCY OF MELTED LEAD
- NON-SMOKING AND ODOR FREE

Lead fluxing made easy. No more using rosin, paraffin, tallow, bullet lube and other homemade concoctions. CleanCast is non-smoking, odor-free and it really works. Only a small amount is necessary to prepare even a 20 lb lead pot for bullet production. Separates dross from valuable bullet alloy and improves the consistency of the melted lead to eliminate variability during your casting session.





QUICK-N-EZ™ BRASS POLISH

4 OZ: PRODUCT# 845677 □ UPC# 661120456773

8 OZ: PRODUCT# 887335 □ UPC# 661120873358

32 OZ: PRODUCT# 321901 □ UPC# 661120219019

- SPECIFICALLY DESIGNED FOR USE WITH BRASS CASES
- AMMONIA FREE, CITRUS SCENTED FORMULA
- LEAVES BRASS SHINY AND RESIDUE FREE

Frankford Arsenal Quick-N-EZ Brass Polish is a citrus scented brass polish that is specifically designed for cartridge cases. This product is ammonia free to protect your brass from becoming brittle and will not leave a residue.





HINGE-TOP AMMO BOXES

- STACKABLE
- AVAILABLE IN 50 AND 100 ROUND BOXES
- STURDY, HINGE-TOP DESIGN WON'T BREAK WITH REPEATED USE

50 ROUND BOXES

BOX #501

PRODUCT# 1083783 □ UPC# 661120412977

BOX# 503

PRODUCT# 1083784 □ UPC# 661120412984

BOX# 504

PRODUCT# 1083785 □ UPC# 661120412991

BOX# 505

PRODUCT# 1083786 □ UPC# 661120413004

BOX# 506

PRODUCT# 1083787 □ UPC# 661120413011

BOX# 507

PRODUCT# 1083789 □ UPC# 661120413103

BOX# 508

PRODUCT# 1083792 □ UPC# 661120413110

BOX# 509

PRODUCT# 1083788 □ UPC# 661120413127

BOX# 510

PRODUCT# 1083790 □ UPC# 661120413134

BOX# 511

PRODUCT# 1083791 □ UPC# 661120413141

BOX# 512

PRODUCT# 1083793 □ UPC# 661120413158

BOX# 514

PRODUCT# 1083795 □ UPC# 661120413165

BOX# 515

PRODUCT# 1083796 □ UPC# 661120413172

100 ROUND BOXES

BOX# 1001

PRODUCT# 1083797 □ UPC# 661120413189

BOX# 1003

PRODUCT# 1083794 □ UPC# 661120413196

BOX# 1005

PRODUCT# 1083799 □ UPC# 661120413202

BOX# 1007

PRODUCT# 1083800 □ UPC# 661120413219

BOX# 1008

PRODUCT# 1083798 □ UPC# 661120413226

BOX# 1009

PRODUCT# 1083801 □ UPC# 661120413233





FRANKFORD ARSENAL[®]

— THE NEW GENERATION OF RELOADING™ —