



M&P

by **Smith & Wesson**

2024 PRODUCT CATALOG

CUTLERY



2024 RETURNING PRODUCTS

CUTLERY

2022
2021
2020
2019
2018



FIXED KNIVES

PRODUCT FEATURES

- 8CR13MOV BLACK OXIDE COATED HIGH CARBON S.S. BLADE
- GLASS FILLED NYLON HANDLE
- FULL TANG
- THUMB JIMPING
- THIN PROFILE
- POCKET CLIP
- LANYARD HOLE
- NYLON FIBER SHEATH



WEIGHT: 4 OZ

BLISTER

ITEM: 1084321
UPC: 661120413769

CASE PACK: 3

PRODUCT FEATURES

- 8CR13MOV BLACK OXIDE COATED HIGH CARBON S.S. BLADE
- RUBBER OVERMOLDED HANDLE
- FULL TANG
- THUMB JIMPING
- THIN PROFILE
- LANYARD HOLE
- NYLON FIBER SHEATH



The durable and rugged M2.0® Drop Point Fixed blade is the perfect boot or pack knife. Complete with a sheath you can lash to a backpack and quality high carbon stainless steel, this knife is great for everyday use for everyone from woodsmen to hunters. It's aggressive jimping is perfect for finer work and blade manipulation and features a deep finger groove below the guard gives you a comfortable and firm grip on the blade. The blade steel is shaped beneath the guard and handle material ensuring your hand remains protected while making more aggressive cuts in stubborn material.



WEIGHT: 5.1 OZ

FDE HANDLE

BLISTER

ITEM: 1085883
UPC: 661120413820

CASE PACK: 3

BOX

ITEM: 1085882
UPC: 661120413813

CASE PACK: 12

BLACK HANDLE

BOX

ITEM: 1085880
UPC: 661120413790

CASE PACK: 12



SPECIAL OPS[®] SURVIVAL KNIVES

A modern twist on a classic design, these knives are ready for your toughest tasks. With heavily textured, rubberized handles and a high-quality stainless steel blade, they are ready for whatever comes your way.

PRODUCT FEATURES

- 8CR13MOV S.S. STEEL BLADE
- RUBBERIZED POLYMER HANDLE
- FULL TANG
- S.S. TEXTURED HAMMER POMMEL
- SAWBACK EDGE
- RIGID SYNTHETIC TACTICAL SHEATH
- BLACK OXIDE COATED BLADE



WEIGHT:
5" - 11.12 OZ
7" - 12.64 OZ

5" SPECIAL OPS

BLISTER

ITEM: 1117201
UPC: 661120080817

BOX

ITEM: 1122583
UPC: 661120080756

CASE PACK: 3

CASE PACK: 12

7" SPECIAL OPS

BLISTER

ITEM: 1117202
UPC: 661120080800

BOX

ITEM: 1122584
UPC: 661120080749

CASE PACK: 3

CASE PACK: 12





EXTRACTION & EVASION[®] CLEAVER

Reach the ultimate leverage with this super rugged and perfectly balanced machete. This tool is big enough for any task and includes a sawback to maximize it's versatility.

PRODUCT FEATURES

- 420 STAINLESS STEEL BLADE
- OVERMOLDED RUBBER HANDLE
- FULL TANG
- TEXTURED HAMMER POMMEL
- SAWBACK
- SYNTHETIC SHEATH WITH SHOULDER SLING



WEIGHT: 17.6 OZ

BLISTER

ITEM: 1117208
UPC: 661120080787

CASE PACK: 3





PRODUCT FEATURES

- HIGH CARBON S.S. CONSTRUCTION
- INTEGRAL TOOLS IN HANDLE
- FULL TANG
- M-LOK®/KEYMOD COMPATIBLE RIGID SYNTHETIC SHEATH
- TOOLS INCLUDED:
 - CASTLE NUT WRENCH
 - BIT DRIVER WITH 1 DOUBLE SIDED BIT
 - BOTTLE OPENER
 - 5/8" BUFFER TUBE WRENCH
 - FLATHEAD SCREWDRIVER



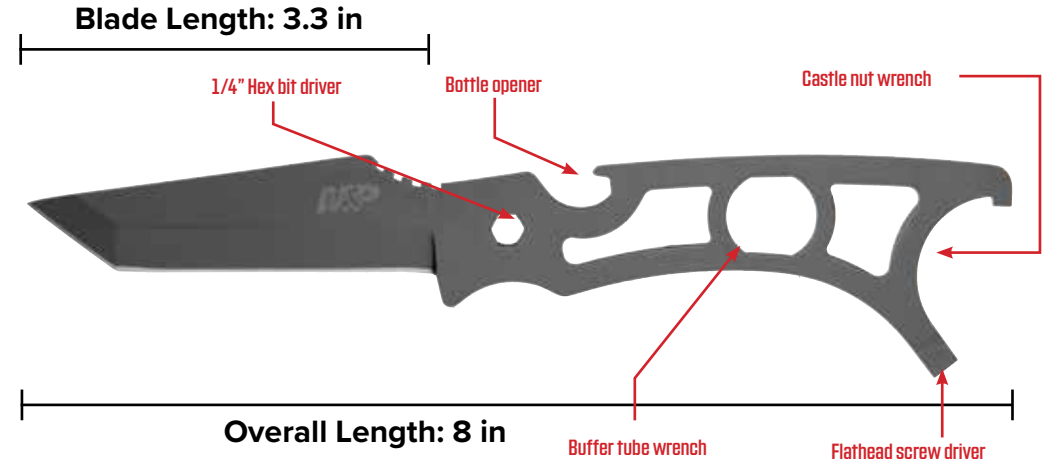
Mountable M&P-15 sheath comes with M-LOK® and Keymod adapters as well as a pocket clip adapter (shown right).



WEIGHT: 3.84 OZ

15 MULTI-TOOL FIXED BLADE

Never choose between carrying a knife or an AR tool again. This M-LOK® / Keymod mountable multi-tool doubles as both your sharpest knife and your go-to AR tool, complete with all the tools you need to fix your MSR in the field.



BLISTER

ITEM: 1117206
UPC: 661120080848

CASE PACK: 3

BOX

ITEM: 1122585
UPC: 661120080831

CASE PACK: 12



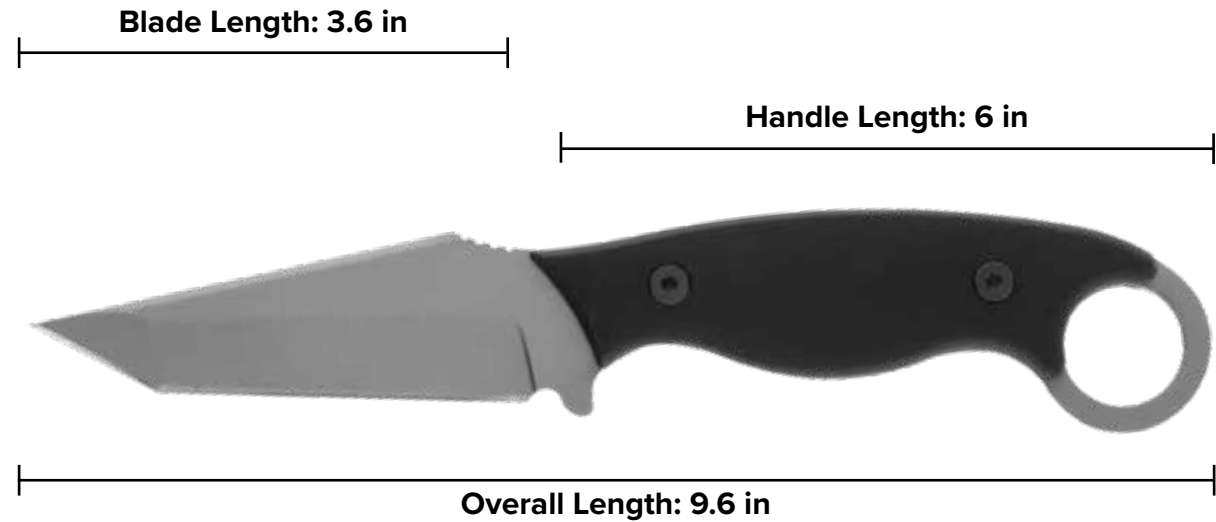


EXTREME OPS® KARAMBIT FIXED

The perfect blend of speed and strength, the Extreme Ops® 9Cr stainless steel blade, and custom-designed G10 handle give you a grip solid enough for any situation.

PRODUCT FEATURES

- 9CR18MOV S.S. STEEL BLADE
- G10 HANDLE SCALES
- FULL TANG
- FINGER LOOP
- 360° ROTATING SYNTHETIC SHEATH



WEIGHT: 7.2 OZ

BLISTER

ITEM: 1117207
UPC: 661120080879

CASE PACK: 3

BOX

ITEM: 1122586
UPC: 661120080862

CASE PACK: 12





OFFICER™ FIXED BLADE KNIFE

Custom designed for law enforcement, our Officer™ Fixed Blade Knife is sure to be the perfect addition for your personal or professional use. With a 4" Spear point blade and full tang construction, you'll never want to be without it.

PRODUCT FEATURES

- 8CR13MOV S.S. STEEL BLADE
- G10 HANDLE SCALES
- FULL TANG
- STAINLESS STEEL POMMEL
- REMOVABLE TUNGSTEN GLASS BREAKER
- SYNTHETIC 360° ROTATING SHEATH
- LANYARD HOLE



Includes an interchangeable 360° rotating sheath buckle and a standard metal belt buckle

6"



Blade Length: 4.3 in

Handle Length: 4.7 in

Overall Length: 9 in

WEIGHT: 9.12 OZ

BLISTER

ITEM: 1117205
UPC: 661120080909

CASE PACK: 3

BOX

ITEM: 1122582
UPC: 661120080886

CASE PACK: 12





SERRATED CLIP POINT

PRODUCT FEATURES

- 8CR13MOV HIGH CARBON BLACK OXIDE S.S. BLADE
- ALUMINUM W/RUBBER HANDLE
- FULL TANG
- M.O.L.L.E. COMPATIBLE THERMOPLASTIC BELT SHEATH
- THUMB JIMPING
- LANYARD HOLE



SILVER/BLACK

Blade Length: 4.1 in



FDE/BLACK

Overall Length: 8.7 in

WEIGHT: 6.6 OZ

FDE/BLACK

BLISTER

ITEM: SWMPF2CSCP
UPC: 661120080817

CASE PACK: 3

BOX

ITEM: SWMPF2CS
UPC: 28634992348

CASE PACK: 12

SILVER/BLACK

BLISTER

ITEM: SWMPF2BSCP
UPC: 28634709519

CASE PACK: 3



TACTICAL AXE

Super strong. Super tough. This tactical axe is built to handle anything and anyone.

PRODUCT FEATURES

- HIGH CARBON S.S. STEEL
- RUBBERIZED HANDLE
- FULL TANG
- SPEAR POINT BACK SPIKE
- SYNTHETIC SHEATH



Overall Length: 15.5 in

WEIGHT: 25.92 OZ

BLISTER

ITEM: 1117197
UPC: 661120080855

CASE PACK: 3

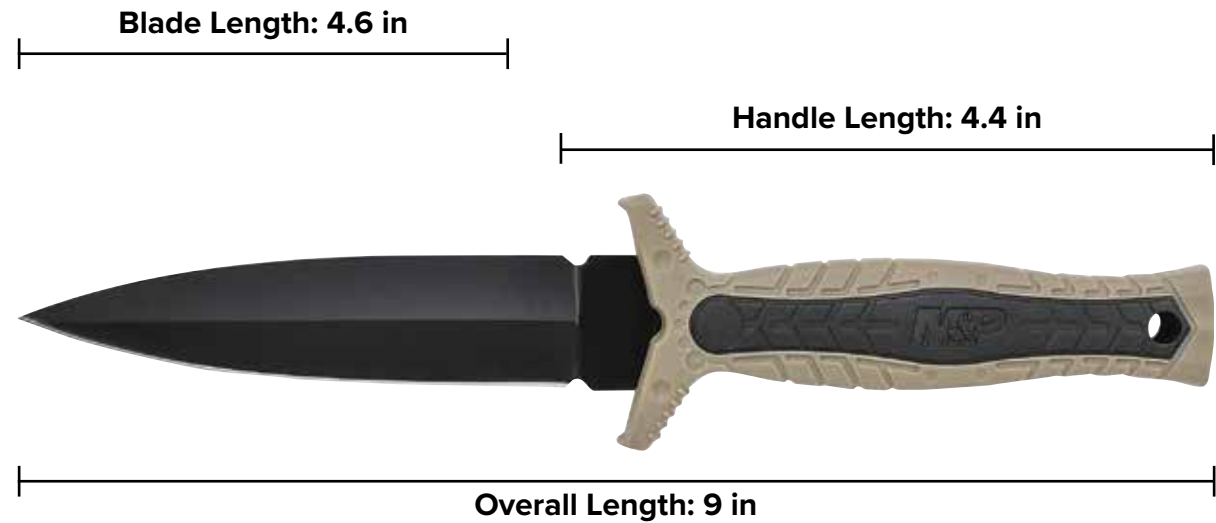




BOOT KNIFE FDE/BLACK

PRODUCT FEATURES

- 8CR13MOV HIGH CARBON BLACK OXIDE S.S. BLADE
- RUBBERIZED HANDLE
- FULL TANG
- THERMOPLASTIC BELT/BOOT SHEATH
- LANYARD HOLE



WEIGHT: 3.5 OZ

BLISTER

ITEM: SWMPF3BRCP
UPC: 28634709526

CASE PACK: 3

BOX

ITEM: SWMPF3BR
UPC: 28634709540

CASE PACK: 6



EXTRACTION AND EVASION[®] KUKRI

With a rubberized handle for maximum grip, a brush hook, sawback, and a textured hammer pommel for added strength, this kukri is perfect for everything from cutting to chopping. The 3Cr steel is tough and durable, making it perfect for hard tasks.

PRODUCT FEATURES

- RUBBERIZED HANDLE FOR MAXIMUM GRIP
- BRUSH HOOK FOR MULTI-TOOL USE, VERSATILITY AND CONVENIENCE
- TEXTURED HAMMER POMMEL
- NYLON CARRYING SHEATH FOR SAFE PORTABILITY



BLISTER

ITEM: 1193181
UPC: 661120655350



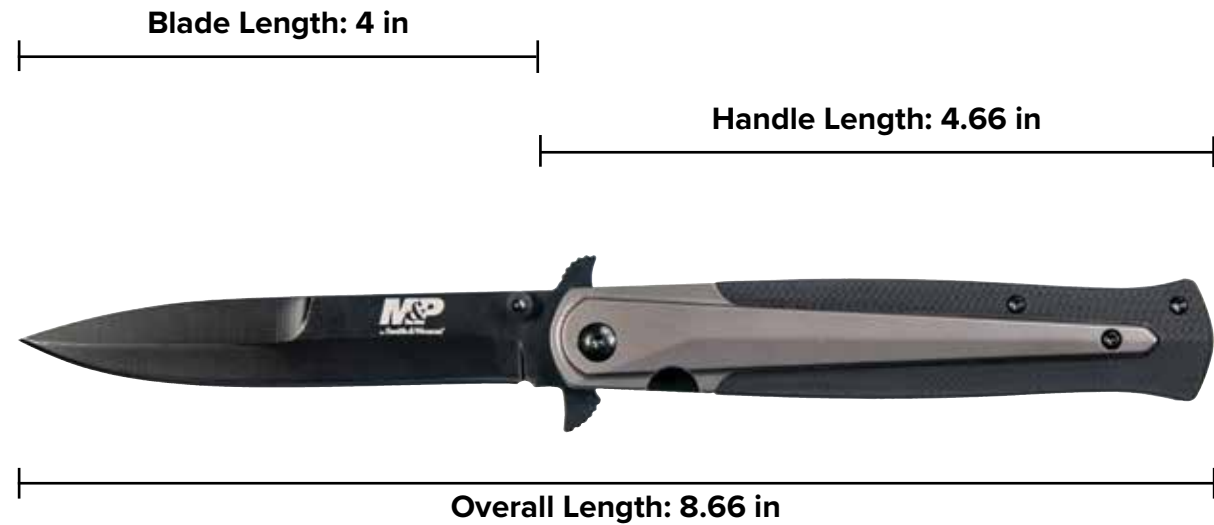
FOLDING KNIVES



FOLDING DAGGER

PRODUCT FEATURES

- 8CR13MOV BLACK OXIDE COATED HIGH CARBON S.S. BLADE
- ALUMINUM & NYLON HANDLE
- LINER LOCK
- THUMB STUD
- POCKET CLIP
- FINGER FLIPPER



WEIGHT: 5 OZ

BLISTER

ITEM: 1085899
UPC: 661120413981

CASE PACK: 3

BOX

ITEM: 1085898
UPC: 661120413974

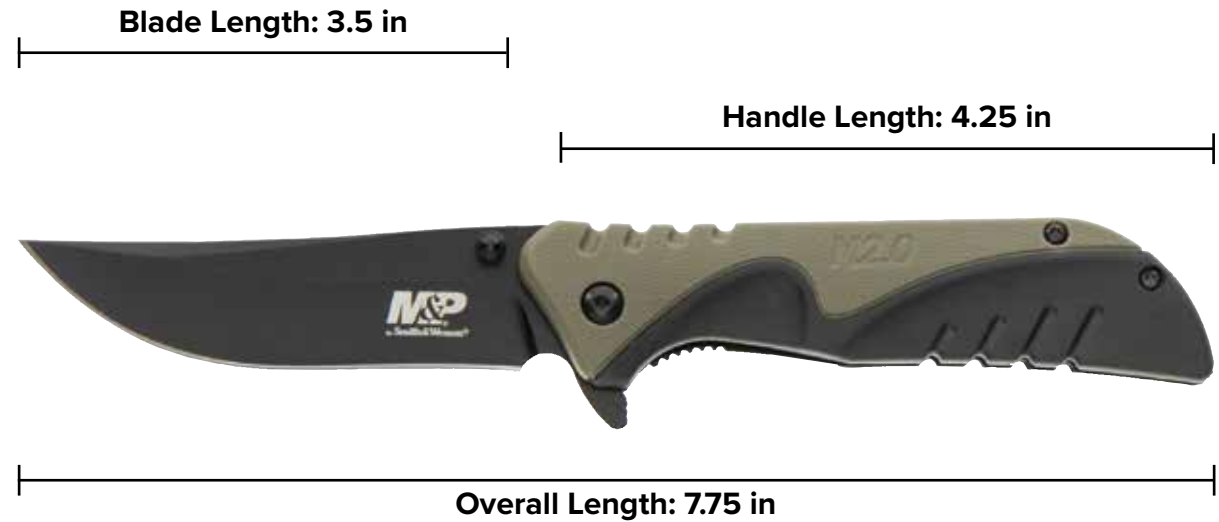
CASE PACK: 12



M2.0[®] ULTRA GLIDE[®] OD CLIP POINT FOLDING KNIFE

PRODUCT FEATURES

- 8CR13MOV BLACK OXIDE COATED HIGH CARBON S.S. BLADE
- RUBBERIZED OVERMOLD HANDLE
- ULTRA GLIDE[®] TECHNOLOGY
- FINGER FLIPPER
- LINER LOCK
- POCKET CLIP
- THUMB STUD



WEIGHT: 3.6 OZ

BLISTER

ITEM: 1100043
UPC: 661120076216

CASE PACK: 3

BOX

ITEM: 1100042
UPC: 661120076209

CASE PACK: 12





M2.0[®] 2-TONE CLIP FOLD TANTO

PRODUCT FEATURES

- 8CR13MOV BLACK OXIDE COATED HIGH CARBON S.S. BLADE
- RUBBERIZED OVERMOLDED HANDLE
- FINGER FLIPPER
- LINER LOCK
- POCKET CLIP
- THUMB STUD
- LANYARD HOLE



WEIGHT: 3.6 OZ

BLISTER

ITEM: 1100081
UPC: 661120076315

CASE PACK: 3

BOX

ITEM: 1100080
UPC: 661120076308

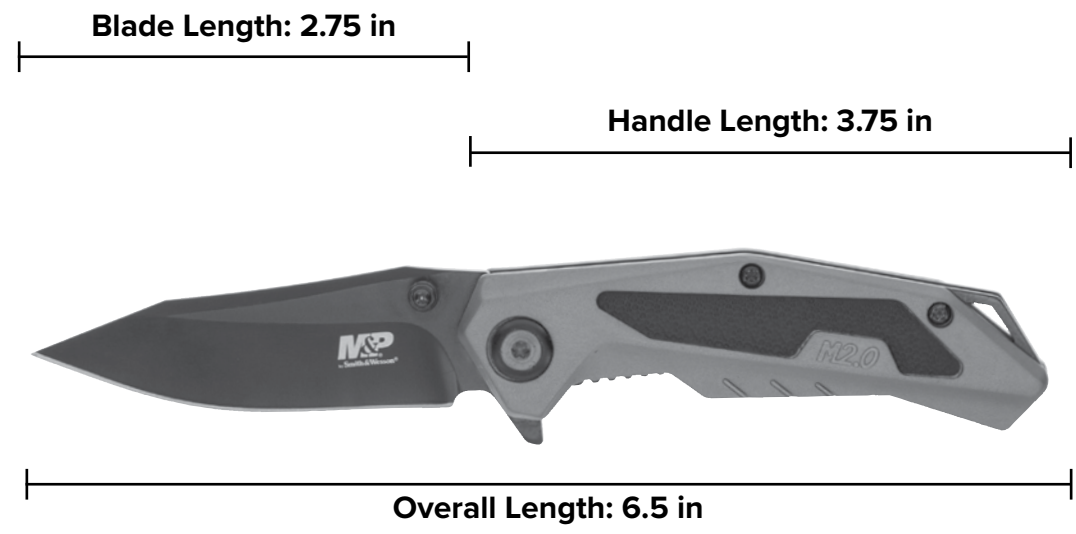
CASE PACK: 12



M2.0[®] ULTRA GLIDE[®] TI

PRODUCT FEATURES

- 8CR13MOV TI-NITRIDE BLADE
- RUBBERIZED ALUMINUM HANDLE
- ULTRA GLIDE[®] TECHNOLOGY
- FINGER FLIPPER
- LINER LOCK
- POCKET CLIP
- THUMB STUD



WEIGHT: 3 OZ

BLISTER

ITEM: 1100041
UPC: 661120076193
CASE PACK: 3

BOX

ITEM: 1100040
UPC: 661120076186
CASE PACK: 12





M2.0[®] ULTRA GLIDE[®] DROP POINT BLACK/FDE

COYOTE COLOR

PRODUCT FEATURES

- 8CR13MOV BLACK OXIDE COATED HIGH CARBON S.S. BLADE
- ALUMINUM & NYLON HANDLE
- ULTRA GLIDE[®] TECHNOLOGY
- DUAL THUMB STUDS
- FINGER ACTUATOR
- LINER LOCK
- POCKET CLIP
- LANYARD HOLE



WEIGHT: 5.1 OZ

BLISTER

ITEM: 1085909
UPC: 661120414087

CASE PACK: 3





M2.0[®] ULTRA GLIDE[®] DROP BLACK/FDE

ALUMINUM & NYLON HANDLE

PRODUCT FEATURES

- 8CR13MOV BLACK OXIDE COATED HIGH CARBON S.S. BLADE
- ALUMINUM & NYLON HANDLE
- ULTRA GLIDE[®] TECHNOLOGY
- FINGER ACTUATOR
- LINER LOCK
- DUAL THUMB STUDS
- POCKET CLIP
- LANYARD HOLE



WEIGHT: 3 OZ

BLISTER

ITEM: 1085905
UPC: 661120414049

CASE PACK: 3





M2.0[®] ULTRA GLIDE[®] DROP BLACK/FDE ALUMINUM HANDLE

PRODUCT FEATURES

- 8CR13MOV BLACK OXIDE COATED HIGH CARBON S.S. BLADE
- ALUMINUM TEXTURED HANDLE
- ULTRA GLIDE[®] TECHNOLOGY
- DUAL THUMB STUDS
- FINGER ACTUATOR
- LINER LOCK
- POCKET CLIP
- LANYARD HOLE



WEIGHT: 3.2 OZ

BLISTER

ITEM: 1085903
UPC: 661120414025

CASE PACK: 3





M2.0[®] ULTRA GLIDE[®] DROP BLACK

PRODUCT FEATURES

- 8CR13MOV BLACK OXIDE COATED HIGH CARBON S.S. BLADE
- NYLON TEXTURED RUBBER OVERMOLDED HANDLE
- ULTRA GLIDE[®] TECHNOLOGY
- FINGER ACTUATOR
- LINER LOCK
- DUAL THUMB STUDS
- POCKET CLIP



WEIGHT: 4.8 OZ

BLISTER

ITEM: 1085913
UPC: 661120414179

CASE PACK: 3

BOX

ITEM: 1085912
UPC: 661120414162

CASE PACK: 12





M&P® SHIELD FOLDING DAGGER

PRODUCT FEATURES

- 8CR13MOV BLACK OXIDE COATED HIGH CARBON S.S. BLADE
- ALUMINUM & NYLON HANDLE
- DUAL FINGER ACTUATORS
- LINER LOCK
- POCKET CLIP
- LANYARD HOLE



GREY HANDLE



FDE HANDLE

WEIGHT: 2.2 OZ

GREY HANDLE

BLISTER

ITEM: 1085893
UPC: 661120413929

CASE PACK: 3

FDE HANDLE

BLISTER

ITEM: 1085895
UPC: 661120413943

CASE PACK: 3



ULTRA GLIDE® BLACK ALUMINUM HANDLE

PRODUCT FEATURES

- 8CR13MOV BLACK OXIDE COATED HIGH CARBON S.S. BLADE
- RUBBERIZED ALUMINUM HANDLE
- ULTRA GLIDE® TECHNOLOGY
- FINGER FLIPPER
- LINER LOCK
- POCKET CLIP



WEIGHT: 3 OZ

BLISTER

ITEM: 1100075
UPC: 661120076230
CASE PACK: 3

BOX

ITEM: 1100074
UPC: 661120076223
CASE PACK: 12





AR OVERMOLD BLACK/OD

PRODUCT FEATURES

- 8CR13MOV BLACK OXIDE COATED HIGH CARBON S.S. BLADE
- 2-TONE OVERMOLDED RUBBER HANDLE
- LINER LOCK
- POCKET CLIP
- THUMB STUD



WEIGHT: 3.9 OZ

BLISTER

ITEM: 1100083
UPC: 661120076339
CASE PACK: 3

BOX

ITEM: 1100082
UPC: 661120076322
CASE PACK: 12



BODYGUARD™

PRODUCT FEATURES

- 8CR13MOV BLACK OXIDE COATED HIGH CARBON S.S. BLADE
- GLASS FILLED TEXTURED NYLON HANDLE
- FINGER ACTUATOR
- LINER LOCK
- DUAL THUMB STUDS
- POCKET CLIP
- LANYARD HOLE



WEIGHT: 2.6 OZ

BOX

ITEM: 1085890
UPC: 661120413899

CASE PACK: 12



BODYGUARD™ TI-NITRIDE

PRODUCT FEATURES

- 8CR13MOV TI-NITRIDE BLADE
- RUBBERIZED ALUMINUM HANDLE
- ULTRA GLIDE® TECHNOLOGY
- FINGER FLIPPER
- LINER LOCK
- POCKET CLIP
- THUMB STUD



WEIGHT: 2.2 OZ

BLISTER

ITEM: 1100069
UPC: 661120076292

CASE PACK: 3

BOX

ITEM: 1100068
UPC: 661120076285

CASE PACK: 12





BODYGUARD™ CONNECT

PRODUCT FEATURES

- 8CR13MOV HIGH CARBON S.S. BEAD BLAST BLADE
- POLYMER HANDLE
- ULTRA GLIDE® TECHNOLOGY
- QUICK DISCONNECT LANYARD LOOP INCLUDED
- LINER LOCK
- THUMB STUD



WEIGHT: 1.7 OZ

BLISTER

ITEM: 1100085
UPC: 661120076353
CASE PACK: 3





BODYGUARD™ TANTO

PRODUCT FEATURES

- 8CR13MOV BLACK OXIDE COATED HIGH CARBON S.S. BLADE
- ALUMINUM & NYLON HANDLE
- FINGER ACTUATOR
- LINER LOCK
- DUAL THUMB STUDS
- POCKET CLIP
- WOOD INSERTS



WEIGHT: 4.2 OZ

BLISTER

ITEM: 1085901
UPC: 661120414001

CASE PACK: 3

BOX

ITEM: 1085900
UPC: 661120413998

CASE PACK: 12



OFFICER™ FOLDING KNIFE

The Officer™ Folding Knife was custom designed by our team of Law Enforcement and Security Officers. Textured G10 scales, an extra-large finger stop, and our Ultra-Glide bearing system make this knife perfect for personal or professional use.

PRODUCT FEATURES

- 8CR13MOV S.S. STEEL BLADE
- G10 HANDLE SCALES
- FINGER FLIPPER
- DUAL THUMB STUDS
- LINER LOCK
- ULTRA GLIDE® TECHNOLOGY
- REVERSIBLE POCKET CLIP
- REMOVABLE TUNGSTEN GLASS BREAKER



WEIGHT: 3.84 OZ

BLISTER

ITEM: 1117204
UPC: 661120080916

CASE PACK: 3

BOX

ITEM: 1122581
UPC: 661120080893

CASE PACK: 12

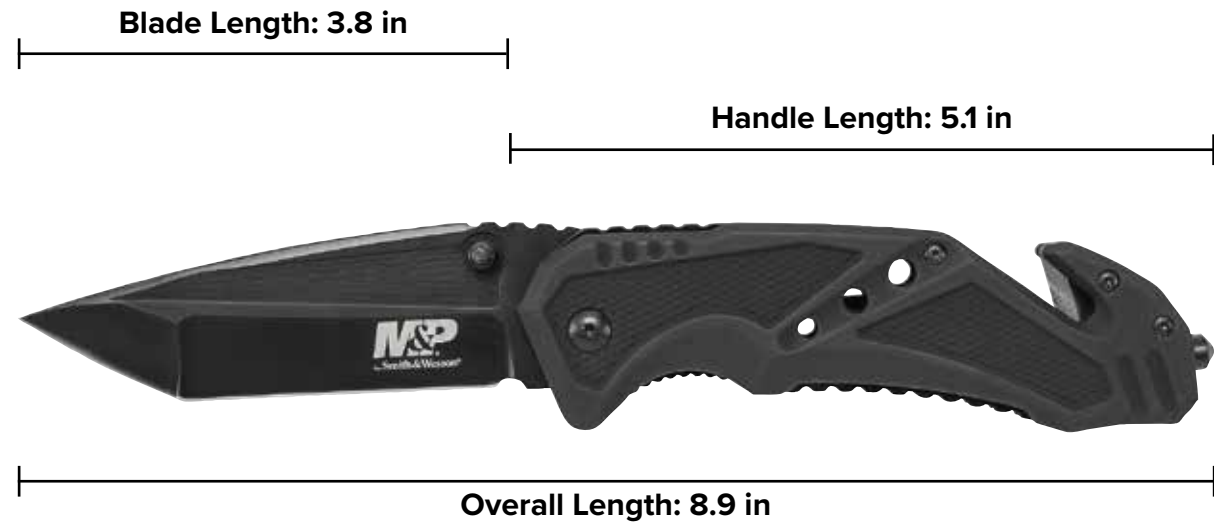




TANTO BLACK

PRODUCT FEATURES

- 7CR17MOV HIGH CARBON S.S. BLADE
- ALUMINUM HANDLE
- DUAL THUMB STUDS
- LINER LOCK
- STRAP CUTTER
- CERAMIC GLASS BREAKER
- POCKET CLIP



WEIGHT: 5.7 OZ

BLISTER

ITEM: SWMP11BCP
UPC: 28634708611

CASE PACK: 3

BOX

ITEM: SWMP11B
UPC: 28634708604

CASE PACK: 12

PRODUCT FEATURES

- 7CR17MOV HIGH CARBON S.S. BLADE
- ALUMINUM HANDLE
- DUAL THUMB STUDS
- LINER LOCK
- STRAP CUTTER
- CERAMIC GLASS BREAKER
- POCKET CLIP



WEIGHT: 5.7 OZ

BLISTER

ITEM: SWMP11GCP
UPC: 28634708901

CASE PACK: 3

BOX

ITEM: SWMP11G
UPC: 28634708895

CASE PACK: 12



CLIP POINT SERRATED

PRODUCT FEATURES

- 8CR13MOV HIGH CARBON BLACK OXIDE S.S. BLADE ALUMINUM HANDLE
- DUAL THUMB STUDS
- LINER LOCK
- INDEX FLIPPER
- POCKET CLIP



Blade Length: 3.5 in

Handle Length: 5.7 in

BLACK/GREY HANDLE



FDE/BLACK HANDLE



BLACK/FDE HANDLE



Overall Length: 8.2 in

WEIGHT: 4.9 OZ

BLACK/FDE HANDLE

BLISTER

ITEM: SWMP13BSCP
UPC: 28634709267

CASE PACK: 3

BOX

ITEM: SWMP13BS
UPC: 28634709250

CASE PACK: 12

FDE/BLACK HANDLE

BLISTER

ITEM: SWMP13GLSCP
UPC: 28634709281

CASE PACK: 3

BOX

ITEM: SWMP13GLS
UPC: 28634709274

CASE PACK: 12

BLACK/GREY HANDLE

BOX

ITEM: SWMP13GS
UPC: 28634709236

CASE PACK: 12



ASSISTED OPENING



FOLDING DAGGER

PRODUCT FEATURES

Introducing the M&P® Folding Dagger - the ultimate self-defense tool for those who are always on the go. This sleek, 8Cr steel folding dagger is perfect for those who are always active and need a lightweight, easy to carry self-defense weapon. The Spring Assist feature makes opening fast and easy and the liner lock provides a secure lockup and easy one-hand use. Plus, the ergonomic finger loop ensures a better grip while in use. The M&P® Folding Dagger is a must-have self-defense tool that you can always have with you.

- ASSISTED OPENING FOR QUICK AND EASY ACCESS
- LINER LOCK FOR EASY ONE-HANDED CLOSE
- FINGER LOOP FOR BETTER CONTROL



BLISTER

ITEM: 1193183
UPC: 661120655503

BOX

ITEM: 1193184
UPC: 661120655510



M&P® SHIELD SPRING ASSISTED FOLDER

PRODUCT FEATURES

- 8CR13MOV STAINLESS STEEL
- RUBBERIZED HANDLE FOR ENHANCED GRIP
- LINER LOCK
- FINGER FLIPPER
- SPRING ASSIST
- POCKET CLIP



BLISTER

ITEM: 1136217
UPC: 661120106814

CASE PACK: 3

BOX

ITEM: 1147101
UPC: 661120106821

CASE PACK: 12





BORDER GUARD® SPRING ASSIST

PRODUCT FEATURES

- 8CR13MOV HIGH CARBON STAINLESS STEEL
- SOLID STEEL HANDLE WITH G10 PANELS
- SPRING ASSISTED OPENING
- FINGER FLIPPER
- HARDENED GLASS BREAKER
- STAINLESS STEEL STRAP CUTTER
- LINER LOCK
- TIP DOWN POCKET CLIP FOR EASY CARRYING



WEIGHT: 8.48OZ

BLISTER

ITEM: 1160826
UPC: 661120651147

CASE PACK: 3

BOX

ITEM: 1182988
UPC: 661120651161

CASE PACK: 12



PRODUCT FEATURES

- 8CR13MOV BLACK OXIDE COATED HIGH CARBON S.S. BLADE
- RUBBERIZED ALUMINUM HANDLE
- LIGHT FDE
- GLASS BREAKER
- STRAP CUTTER
- LINER LOCK
- POCKET CLIP
- SPRING ASSISTED OPENING



WEIGHT: 4.3 OZ

BLISTER

ITEM: 1100077
UPC: 661120076254
CASE PACK: 3

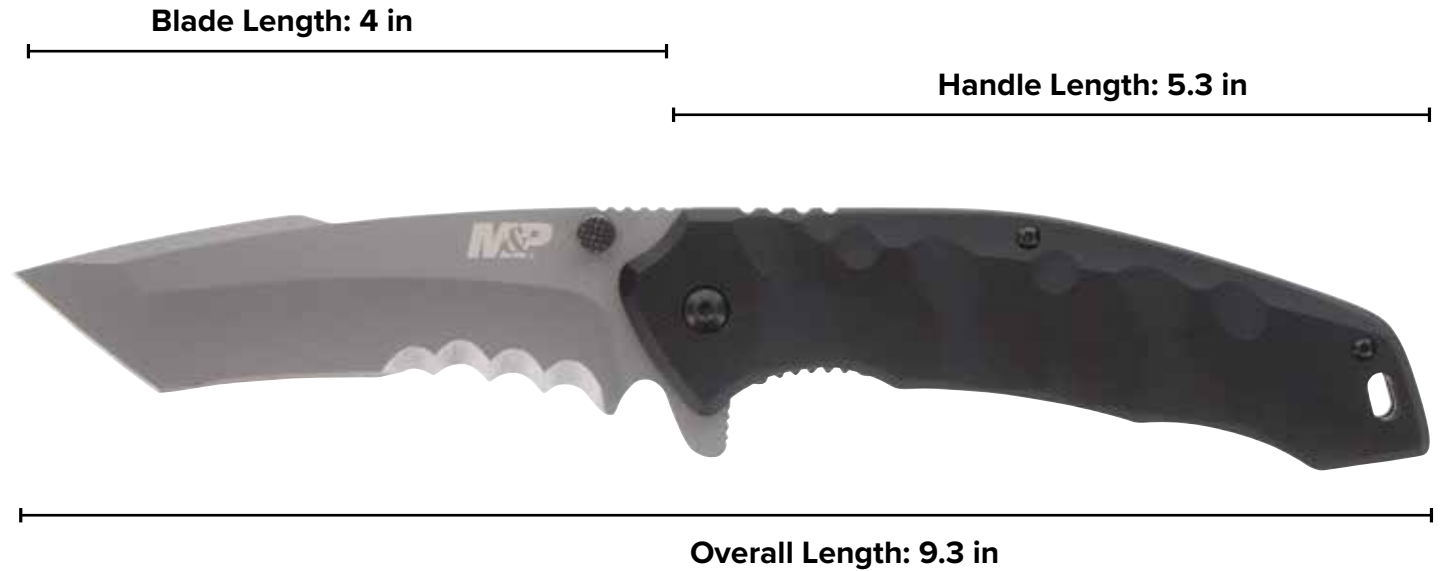
BOX

ITEM: 1100076
UPC: 661120076247
CASE PACK: 12



PRODUCT FEATURES

- 8CR13MOV STAINLESS STEEL
- G10 HANDLE SCALES
- LINER LOCK
- PARTIALLY SERRATED WITH TANTO POINT
- FINGER FLIPPER
- SPRING ASSISTED OPENING
- POCKET CLIP



BLISTER

ITEM: 1136216
UPC: 661120106838

BOX

ITEM: 1147103
UPC: 661120106845



ASSISTED DUAL KNIFE & TOOL

PRODUCT FEATURES

- 8CR13MOV BLACK OXIDE COATED HIGH CARBON S.S. BLADE
- RUBBERIZED POLYMER HANDLE
- SPRING ASSISTED OPENING
- TUNGSTEN WINDOW PUNCH
- HEX WRENCH
- STRAP CUTTER
- BOTTLE OPENER
- FERRO ROD
- WHISTLE
- SCREWDRIVER
- LINER LOCK
- POCKET CLIP



WEIGHT: 5.6 OZ

BLISTER

ITEM: 1100079
UPC: 661120076278

CASE PACK: 3

BOX

ITEM: 1100078
UPC: 661120076261

CASE PACK: 12





M.A.G.I.C.® CLIP POINT

PRODUCT FEATURES

- 4034 BLACK OXIDE S.S. BLADE
- ALUMINUM HANDLE
- M.A.G.I.C.® ASSISTED OPENING
- FINGER ACTUATOR
- DUAL THUMB KNOBS
- LINER LOCK
- SAFETY LOCK
- POCKET CLIP



Serrated Blade Option



Blade Length: 3.4 in

Handle Length: 4.3 in



Overall Length: 7.7 in

WEIGHT: 5.5 OZ

BLISTER

ITEM: SWMP6CP
UPC: 28634704859

CASE PACK: 3

BOX

ITEM: SWMP6
UPC: 28634704798

CASE PACK: 12

BOX

ITEM: SWMP6S
UPC: 28634704804

CASE PACK: 12

SERRATED

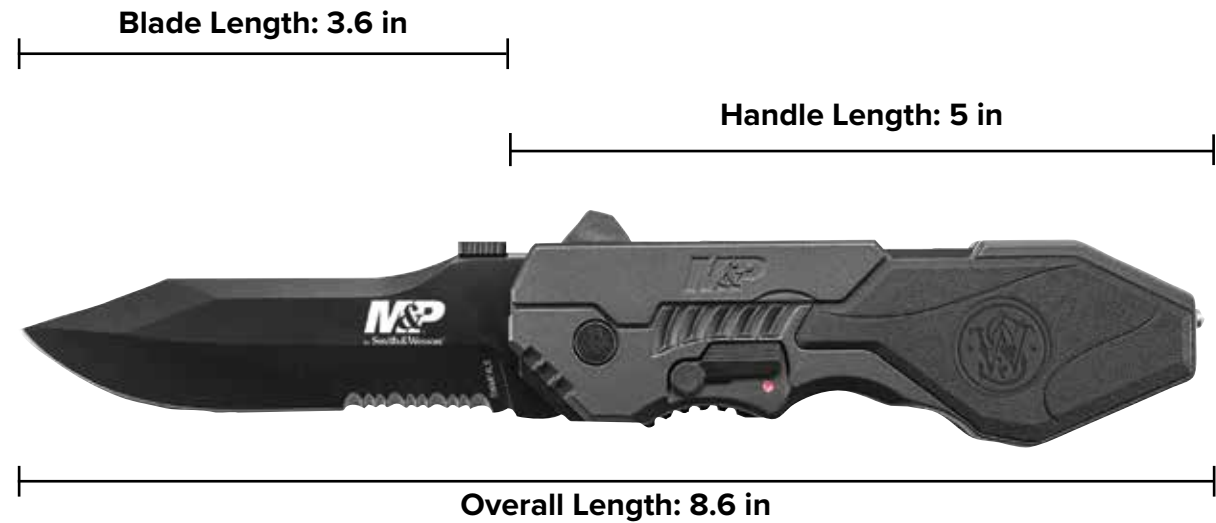




M.A.G.I.C.® SERRATED CLIP POINT

PRODUCT FEATURES

- 4034 S.S. BLACK OXIDE COATED BLADE
- ALUMINUM HANDLE
- M.A.G.I.C.® ASSISTED OPENING
- FINGER ACTUATOR
- DUAL THUMB STUDS
- POCKET CLIP
- GLASS BREAKER
- LINER LOCK
- SAFETY LOCK



WEIGHT: 7.6 OZ

BLISTER

ITEM: SWMP4LSCP
UPC: 28634703678

CASE PACK: 3

BOX

ITEM: SWMP4LS
UPC: 28634702565

CASE PACK: 12





M.A.G.I.C.® CLIP POINT GREY/BLACK

PRODUCT FEATURES

- 4034 S.S. BLACK OXIDE COATED BLADE
- ALUMINUM HANDLE
- M.A.G.I.C.® ASSISTED OPENING
- FINGER ACTUATOR
- THUMB PLATE
- LINER LOCK
- SAFETY LOCK
- GLASS BREAKER
- POCKET CLIP



Serrated Blade Option

Blade Length: 3.5 in

Handle Length: 5 in

Overall Length: 8.5 in

WEIGHT: 7.2 OZ

BLISTER

ITEM: SWMP5LCP
UPC: 28634703685

CASE PACK: 3

BOX

ITEM: SWMP5L
UPC: 28634702732

CASE PACK: 12

BOX

ITEM: SWMP5LS
UPC: 28634702749

CASE PACK: 12

SERRATED





M.A.G.I.C.® CLIP POINT

PRODUCT FEATURES

- 4034 S.S. BLACK OXIDE COATED BLADE
- ALUMINUM HANDLE
- M.A.G.I.C.® ASSISTED OPENING
- FINGER ACTUATOR
- DUAL THUMB STUDS
- LINER LOCK
- SAFETY LOCK
- GLASS BREAKER
- POCKET CLIP



Serrated Blade Option

Blade Length: 2.9 in

Handle Length: 4.2 in

Overall Length: 7.1 in

WEIGHT: 4.1 OZ

BLISTER

ITEM: SWMP1BCP
UPC: 28634703708

CASE PACK: 3

BOX

ITEM: SWMP1B
UPC: 28634701063

CASE PACK: 12

BOX

ITEM: SWMP1BS
UPC: 28634701070

CASE PACK: 12

SERRATED





M.A.G.I.C.® CLIP POINT SERRATED ASSISTED TAN

PRODUCT FEATURES

- 4034 S.S. BLACK OXIDE COATED BLADE
- ALUMINUM HANDLE
- M.A.G.I.C.® ASSISTED OPENING
- FINGER ACTUATOR
- DUAL THUMB STUDS
- POCKET CLIP
- GLASS BREAKER
- LINER LOCK
- SAFETY LOCK



WEIGHT: 4.1 OZ

BOX

ITEM: SWMP1BSD
UPC: 28634701483

CASE PACK: 12





M.A.G.I.C.® TANTO ASSISTED

PRODUCT FEATURES

- 4034 S.S. BLACK OXIDE COATED BLADE
- ALUMINUM HANDLE
- M.A.G.I.C.® ASSISTED OPENING
- FINGER ACTUATOR
- DUAL THUMB STUDS
- LINER LOCK
- SAFETY LOCK
- GLASS BREAKER
- POCKET CLIP



WEIGHT: 4.1 OZ

BLISTER

ITEM: SWMP3BSCP
UPC: 28634703487

CASE PACK: 3

BOX

ITEM: SWMP3B
UPC: 28634701100

CASE PACK: 12

SERRATED





M.A.G.I.C.® TANTO ASSISTED SERRATED TAN

PRODUCT FEATURES

- 4034 S.S. BLACK OXIDE COATED BLADE
- ALUMINUM HANDLE
- M.A.G.I.C.® ASSISTED OPENING
- FINGER ACTUATOR
- DUAL THUMB STUDS
- LINER LOCK
- SAFETY LOCK
- GLASS BREAKER
- POCKET CLIP



WEIGHT: 4.1 OZ

BLISTER

ITEM: SWMP3BSDCP
UPC: 28634703609

CASE PACK: 3

BOX

ITEM: SWMP3BSD
UPC: 28634701520

CASE PACK: 12





M.A.G.I.C.® SERRATED SILVER

PRODUCT FEATURES

- 4047 STAINLESS STEEL
- BLACK OXIDE COATED BLADE
- M.A.G.I.C.® ASSISTED OPENING
- LINER LOCK
- SAFETY LOCK
- FINGER ACTUATOR
- DUAL THUMB STUDS
- POCKET CLIP



WEIGHT: 5.5 OZ

BLISTER

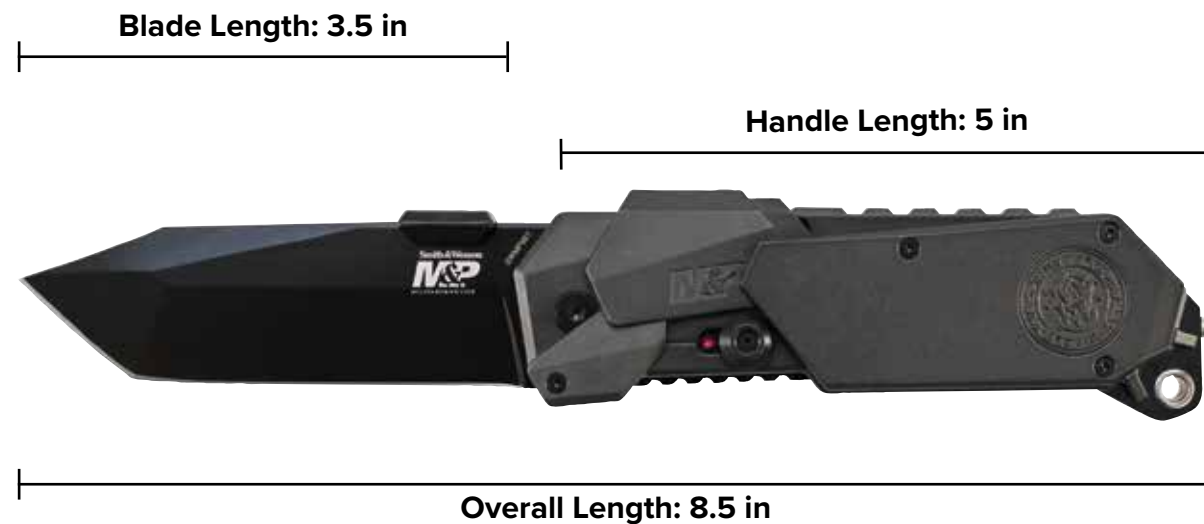
ITEM: SWMP6CNSCP
UPC: 28634705030

CASE PACK: 3



PRODUCT FEATURES

- BLACK OXIDE COATED BLADE
- 4044 STAINLESS STEEL
- M.A.G.I.C.® ASSISTED OPENING
- FINGER ACTUATOR
- DUAL THUMB STUDS
- POCKET CLIP
- GLASS BREAKER
- LINER LOCK
- SAFETY LOCK



WEIGHT: 7.2 OZ

BOX

ITEM: SWMP9BT
UPC: 28634706686

CASE PACK: 12



PRODUCT FEATURES

- 8CR13MOV STAINLESS STEEL
- G10 HANDLE SCALES
- LINER LOCK
- TITANIUM NITRIDE BLADE COATING
- SPRING ASSISTED OPENING
- FINGER FLIPPER/HOOK ASSIST OPEN
- POCKET CLIP



BLISTER

ITEM: 1136215
UPC: 661120106791

BOX

ITEM: 1147102
UPC: 661120106807



This rugged knife packs a punch with a built-in carabiner and bottle opener. Perfect as your EDC or clipping to your bag, the easy access ensures you'll always be ready.

PRODUCT FEATURES

- 8CR13MOV S.S. STEEL BLADE
- BLACK OXIDE COATED BLADE
- ALUMINUM OVERMOLDED HANDLE
- DUAL THUMB STUDS
- LINER LOCK
- TIP-DOWN POCKET CLIP
- BOTTLE OPENER CARABINER
- SPRING ASSISTED OPENING



Blade Length: 3.5 in



Handle Length: 5 in



Overall Length: 8.1 in



BLISTER

ITEM: 1117199
UPC: 661120080824

BOX

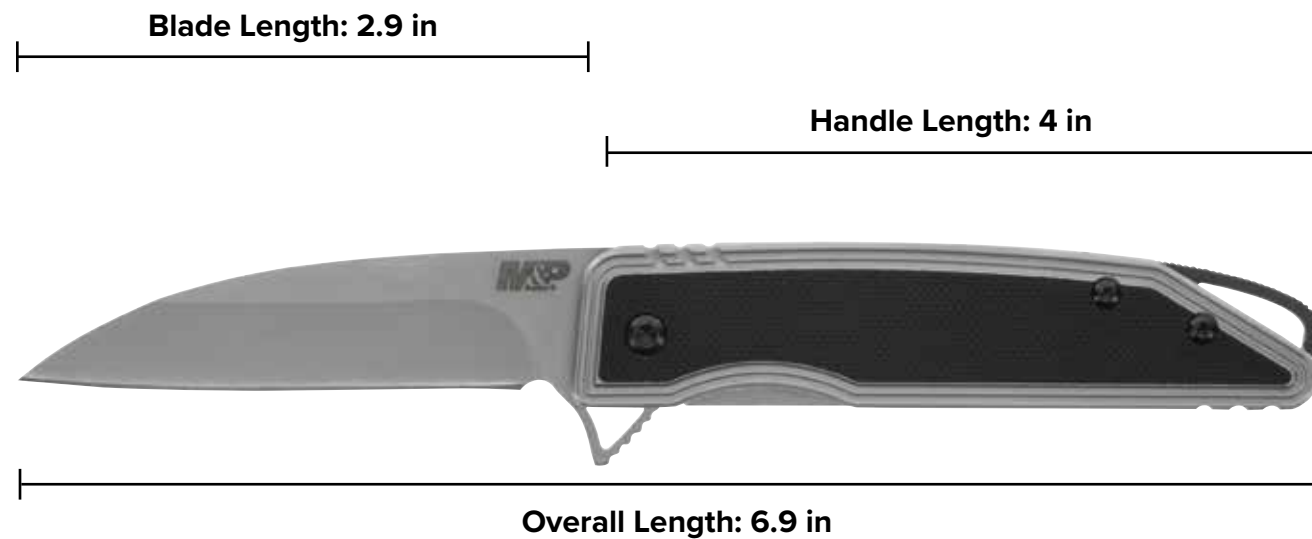
ITEM: 1122579
UPC: 661120080770



As smooth and polished as a custom trigger, the M&P® Sear™ springs into action with just a touch of the index flipper.

PRODUCT FEATURES

- 8CR13MOV S.S. STEEL BLADE
- S.S. HANDLE W/ G10 INSERTS
- FINGER FLIPPER
- LINER LOCK
- TIP-DOWN POCKET CLIP
- SPRING ASSISTED OPENING



WEIGHT: 4.16 OZ

BLISTER

ITEM: 1117203
UPC: 661120080794

CASE PACK: 3

BOX

ITEM: 1122580
UPC: 661120080763

CASE PACK: 12





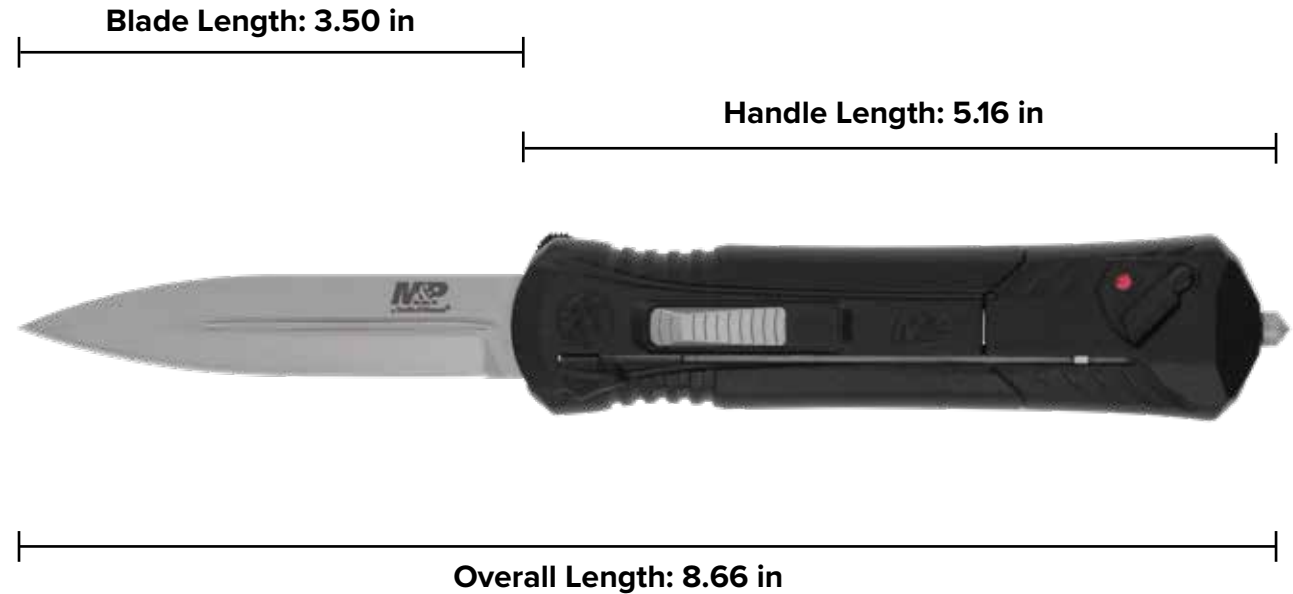
OUT THE FRONT



MPOTF10 SPEAR POINT SATIN

PRODUCT FEATURES

- OUT-THE-FRONT (OTF) SINGLE-ACTION DEPLOYMENT FOR EASE OF OPENING
- HARDENED GLASS BREAKER FOR EMERGENCY USE
- SAFETY LOCK TO ENSURE PROTECTION
- AUS-8 STAINLESS STEEL BLADE FOR SUPREME EDGE RETENTION
- TIP DOWN POCKET CLIP FOR EASY CARRYING



WEIGHT: 6OZ

BLISTER

ITEM: 1181878
UPC: 661120265733

CASE PACK: 3

BOX

ITEM: 1160825
UPC: 661120265757

CASE PACK: 12



MPOTF10 SPEAR POINT GREY

PRODUCT FEATURES

- OUT-THE-FRONT (OTF) SINGLE-ACTION DEPLOYMENT FOR EASE OF OPENING
- HARDENED GLASS BREAKER FOR EMERGENCY USE
- SAFETY LOCK TO ENSURE PROTECTION
- AUS-8 STAINLESS STEEL BLADE FOR SUPREME EDGE RETENTION
- TIP DOWN POCKET CLIP FOR EASY CARRYING
- BLACK OXIDE COATED BLADE
- ALUMINUM HANDLE



WEIGHT: 6 OZ

BLISTER

ITEM: 1092048
UPC: 661120415633

CASE PACK: 3

BOX

ITEM: 1084314
UPC: 661120413691

CASE PACK: 12



MPOTF10 SPEAR POINT FDE

PRODUCT FEATURES

- OUT-THE-FRONT (OTF) SINGLE-ACTION DEPLOYMENT FOR EASE OF OPENING
- HARDENED GLASS BREAKER FOR EMERGENCY USE
- SAFETY LOCK TO ENSURE PROTECTION
- AUS-8 STAINLESS STEEL BLADE FOR SUPREME EDGE RETENTION
- TIP DOWN POCKET CLIP FOR EASY CARRYING
- BLACK OXIDE COATED BLADE
- ALUMINUM HANDLE



FDE/Black Button



Blade Length: 3.5 in

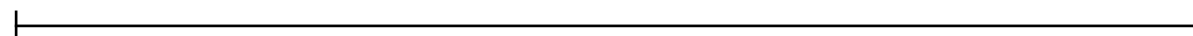


FDE

Handle Length: 5.16 in



Overall Length: 8.66 in



WEIGHT: 6 OZ

FDE

FDE/Black Button

BOX

ITEM: 1084315
UPC: 661120413707

CASE PACK: 12

BLISTER

ITEM: 1092050
UPC: 661120415640

CASE PACK: 3





MPOTF10 SERRATED GREY

PRODUCT FEATURES

- OUT-THE-FRONT (OTF) SINGLE-ACTION DEPLOYMENT FOR EASE OF OPENING
- HARDENED GLASS BREAKER FOR EMERGENCY USE
- SAFETY LOCK TO ENSURE PROTECTION
- AUS-8 STAINLESS STEEL BLADE FOR SUPREME EDGE RETENTION
- TIP DOWN POCKET CLIP FOR EASY CARRYING
- BLACK OXIDE COATED BLADE
- ALUMINUM HANDLE



WEIGHT: 6OZ

BOX

ITEM: 1160824
UPC: 661120265726

CASE PACK: 12



M&P[®]

by **Smith & Wesson**[®]

Smith & Wesson[®], M&P[®] and M2.0[®] are trademarks of Smith & Wesson Brands, Inc. used under license.